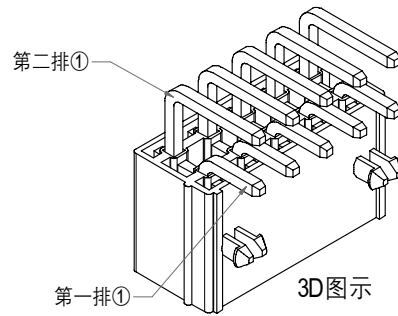
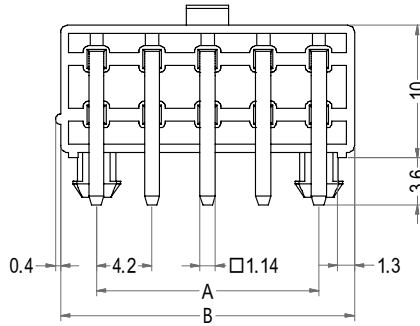
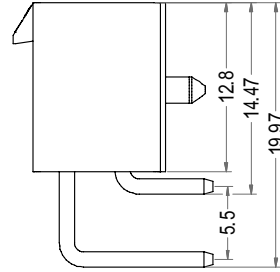
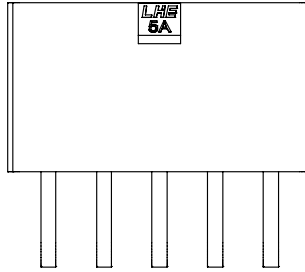
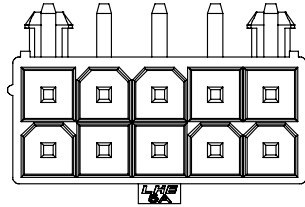


# 5557&5559&5566&5569型连接器承认书图面



| 6          | 5                    | 4  | 3         | 2         | 1 |
|------------|----------------------|----|-----------|-----------|---|
| 名称         | 材料                   | 数量 | 图号        | 附注        |   |
| 基座 Housing | Nylon 66 UL94V-2/V-0 | 1  | LHE\GC-44 | White(白色) |   |
| 针Wafer     | 黄铜镀锡 Brass Tin       | N  |           |           |   |



| Poles | Part No.      | Description  | DIM=A | DIM=B |
|-------|---------------|--------------|-------|-------|
| 2     | A4201-WRB01X2 | 5569-2X1AWL  | /     | 5.40  |
| 4     | A4201-WRB02X2 | 5569-2X2AWL  | 4.20  | 9.60  |
| 6     | A4201-WRB03X2 | 5569-2X3AWL  | 8.40  | 13.80 |
| 8     | A4201-WRB04X2 | 5569-2X4AWL  | 12.60 | 18.00 |
| 10    | A4201-WRB05X2 | 5569-2X5AWL  | 16.80 | 22.20 |
| 12    | A4201-WRB06X2 | 5569-2X6AWL  | 21.00 | 26.40 |
| 14    | A4201-WRB07X2 | 5569-2X7AWL  | 25.20 | 30.60 |
| 16    | A4201-WRB08X2 | 5569-2X8AWL  | 29.40 | 34.80 |
| 18    | A4201-WRB09X2 | 5569-2X9AWL  | 33.60 | 39.00 |
| 20    | A4201-WRB10X2 | 5569-2X10AWL | 37.80 | 43.20 |
| 22    | A4201-WRB11X2 | 5569-2X11AWL | 42.00 | 47.40 |
| 24    | A4201-WRB12X2 | 5569-2X12AWL | 46.20 | 51.60 |

|                 |                      |          |       |
|-----------------|----------------------|----------|-------|
| LHE® 浙江联和电子有限公司 |                      |          |       |
| 品名              | 5569-2XAWL           | 比例       | 7:4   |
| 料号              | A4201-WRBX2          | 未注公差(mm) |       |
| 图号              | LHE\GC-44            | >0-3     | ±0.12 |
| 材料              | Nylon 66 UL94V-2/V-0 | >3-18    | ±0.15 |
| 制图              | 王天 2024-03-05        | >18-50   | ±0.3  |
| 审核              | 天琴 2024-03-05        | >50-120  | ±0.5  |
| 批准              | 季育文 2024-03-05       | X°       | ±3°   |
| 视角              |                      | X.X°     | ±0.5° |