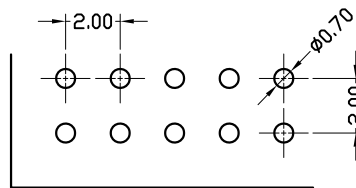
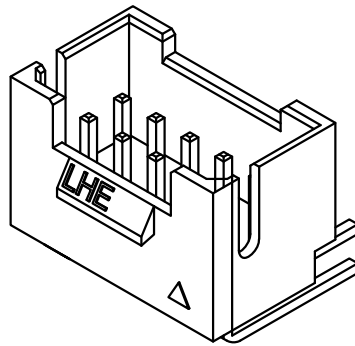
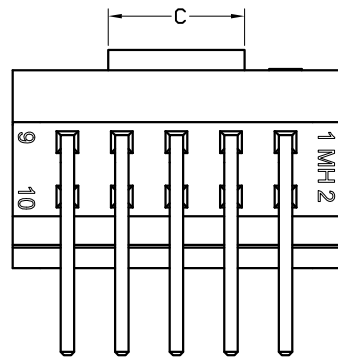
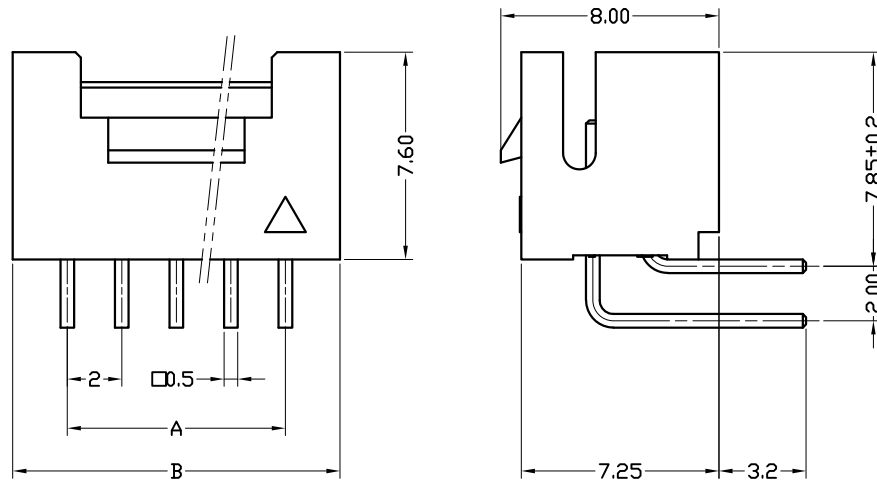


PHSD连接器承认图面

REV	DESCRIPTION	DATE
A/0	原始版本	E
A/1	修订版本	



P. C. B LAYOUT

Poles	Part No.		Dimensions mm		
			A	B	C
4	A2006-WRB02×2	PHSD-2×2AW	2.0	6.0	3.0
6	A2006-WRB03×2	PHSD-2×3AW	4.0	8.0	3.0
8	A2006-WRB04×2	PHSD-2×4AW	6.0	10.0	3.0
10	A2006-WRB05×2	PHSD-2×5AW	8.0	12.0	5.0
12	A2006-WRB06×2	PHSD-2×6AW	10.0	14.0	7.0
14	A2006-WRB07×2	PHSD-2×7AW	12.0	16.0	9.0
16	A2006-WRB08×2	PHSD-2×8AW	14.0	18.0	11.0
18	A2006-WRB09×2	PHSD-2×9AW	16.0	20.0	13.0
20	A2006-WRB10×2	PHSD-2×10AW	18.0	22.0	15.0
22	A2006-WRB11×2	PHSD-2×11AW	20.0	24.0	17.0
24	A2006-WRB12×2	PHSD-2×12AW	22.0	26.0	19.0
26	A2006-WRB13×2	PHSD-2×13AW	24.0	28.0	21.0
28	A2006-WRB14×2	PHSD-2×14AW	26.0	30.0	23.0
--	--	--	--	--	--
60	A2006-WRB30×2	PHSD-2×30AW	58.0	62.0	55.0

2		Wafer 针	Brass Tin 黄铜镀锡	N	
1		Housing 基座	(灼热丝V0)-G	1	本色
序号	图号	名称	材料	数量	附注
未注公差		LHE ® 浙江联和电子有限公司 ZHEJIANG LIANHE ELECTRONICS CO., LTD			
X.° ±3° X.X° ±0.5°		单位	比例	Design Units	SIZE 页码
>0-3	>3-18	>18-50	>50-120	MM Only	METRIC A4
±0.12	±0.15	±0.3	±0.5		
制作	审核	批准	材料	图号	Part No
			见图解	品名	PHSD-2×NAW

旧底图总号
底图总号
签字
日期