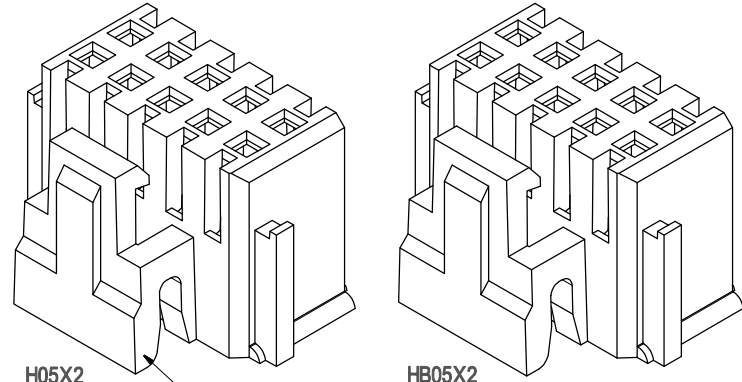
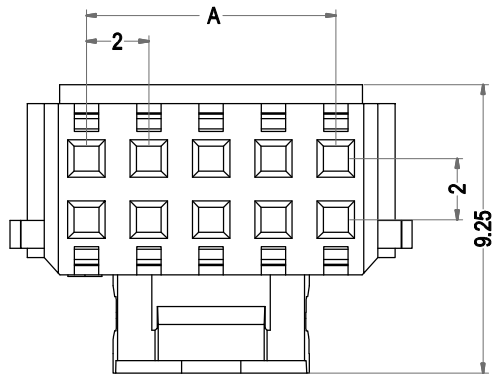
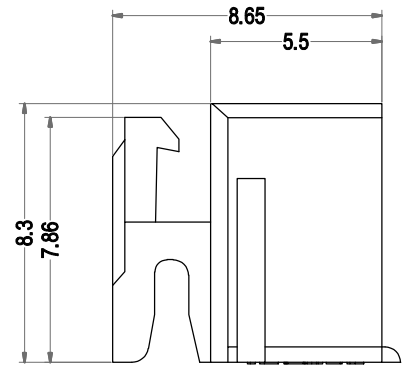
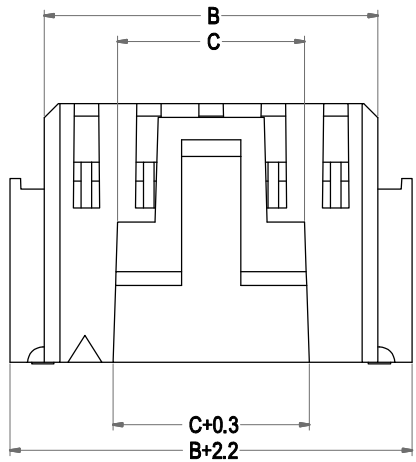


# PHSD连接器承认图面

REV	SYM	REVISION RECORD	DR.	APPR.	DATE
A/0		原始版本			E
A/1		增加HBX2图示说明	YF		20230104



H系列与HB系列不能通用,挂钩尺寸不同!



Poles	Part No.		Dimensions mm		
			A	B	C
4	A2006-H02X2	PHSD-2×2Y	2.00	4.70	2.80
6	A2006-H03X2	PHSD-2×3Y	4.00	6.70	3.10
8	A2006-H04X2	PHSD-2×4Y	6.00	8.70	4.00
10	A2006-H05X2	PHSD-2×5Y	8.00	10.70	6.00
12	A2006-H06X2	PHSD-2×6Y	10.00	12.70	8.00
14	A2006-H07X2	PHSD-2×7Y	12.00	14.70	6.00
16	A2006-H08X2	PHSD-2×8Y	14.00	16.70	8.00
18	A2006-H09X2	PHSD-2×9Y	16.00	18.70	14.00
20	A2006-H10X2	PHSD-2×10Y	18.00	20.70	8.00
22	A2006-H11X2	PHSD-2×11Y	20.00	22.70	14.00
24	A2006-H12X2	PHSD-2×12Y	22.00	24.70	8.00
26	A2006-H13X2	PHSD-2×13Y	24.00	26.70	14.00
28	A2006-H14X2	PHSD-2×14Y	26.00	28.70	16.00
30	A2006-H15X2	PHSD-2×15Y	28.00	30.70	14.00
32	A2006-H16X2	PHSD-2×16Y	30.00	32.70	16.00
34	A2006-H17X2	PHSD-2×17Y	32.00	34.70	6.00
36	A2006-H18X2	PHSD-2×18Y	34.00	36.70	8.00
40	A2006-H20X2	PHSD-2×20Y	38.00	40.70	16.00
50	A2006-H25X2	PHSD-2×25Y	48.00	50.70	14.00
--	--	--	--	--	--
60	A2006-H30X2	PHSD-2×30Y	58.00	60.70	16.00
8	A2006-HB04X2	PHSD-2×4YB	6.00	8.70	5.15
10	A2006-HB05X2	PHSD-2×5YB	8.00	10.70	6.35
14	A2006-HB07X2	PHSD-2×7YB	12.00	14.70	9.00
18	A2006-HB09X2	PHSD-2×9YB	16.00	18.70	11.15

旧底图总号  
底图总号  
签字  
日期

1		Housing 胶壳	PA66 (UL94V-0)	1	White (白色)
序号	图号	名称	材料	数量	附注
未注公差		<b>LHE</b> ® 浙江联和电子有限公司 ZHEJIANG LIANHE ELECTRONICS CO., LTD			
X.° ±3° X.X° ±0.5°					
>0-3	>3-18	>18-50	>50-120	单位	比例
±0.12	±0.15	±0.3	±0.5	MM Only	—
制作		审核	批准	材料	图号
				见图解	品名
				Design Units	SIZE 页码
				METRIC	A4
				Part No.	
				PHSD-2×NY	