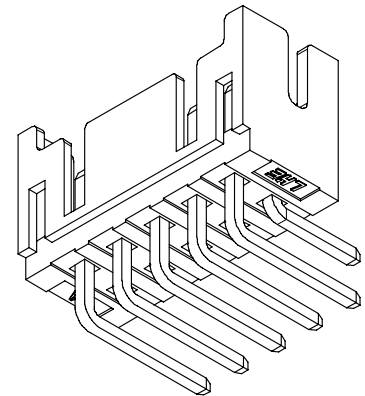
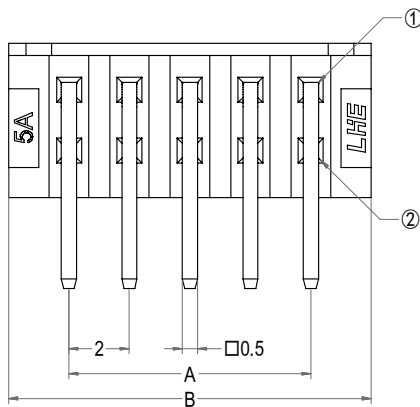
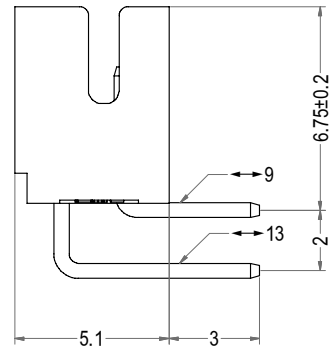
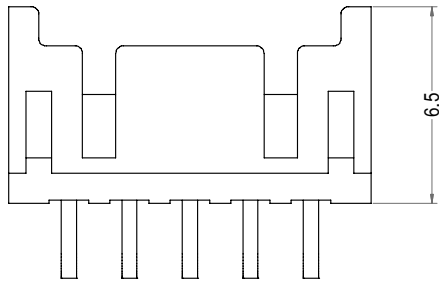


# PHD型连接器承认书图面



6	5	4	3	2	1
名称	材料	数量	图号	附注	
基座 Housing	Nylon 66 UL94V-0	1	LHE\GC-11	本色	
针 Wafer	黄铜镀锡 Brass Tin	N			



3D图示

Poles	Part No.	Description	DIM=A	DIM=B
2	A2002-WRB02X2	PHD-2X2AW	2.00	6.00
3	A2002-WRB03X2	PHD-2X3AW	4.00	8.00
4	A2002-WRB04X2	PHD-2X4AW	6.00	10.00
5	A2002-WRB05X2	PHD-2X5AW	8.00	12.00
6	A2002-WRB06X2	PHD-2X6AW	10.00	14.00
7	A2002-WRB07X2	PHD-2X7AW	12.00	16.00
8	A2002-WRB08X2	PHD-2X8AW	14.00	18.00
9	A2002-WRB09X2	PHD-2X9AW	16.00	20.00
10	A2002-WRB10X2	PHD-2X10AW	18.00	22.00
11	A2002-WRB11X2	PHD-2X11AW	20.00	24.00
12	A2002-WRB12X2	PHD-2X12AW	22.00	26.00
13	A2002-WRB13X2	PHD-2X13AW	24.00	28.00
14	A2002-WRB14X2	PHD-2X14AW	26.00	30.00
15	A2002-WRB15X2	PHD-2X15AW	28.00	32.00
16	A2002-WRB16X2	PHD-2X16AW	30.00	34.00
17	A2002-WRB17X2	PHD-2X17AW	32.00	36.00
18	A2002-WRB18X2	PHD-2X18AW	34.00	38.00
19	A2002-WRB19X2	PHD-2X19AW	36.00	40.00
20	A2002-WRB20X2	PHD-2X20AW	38.00	42.00

## LHE® 浙江联和电子有限公司

品名	PHD-2XNAW	比例	4:1
料号	A2002-WRBX2	未注公差(mm)	
图号	LHE\GC-11	>0~3	±0.12
材料	(灼热丝V0)-G	>3~18	±0.15
制图	王天 2024-05-10	>18~50	±0.3
审核	天琴 2024-05-10	>50~120	±0.5
批准	李育文 2024-05-10	X°	±3°
视角		X.X°	±0.5°