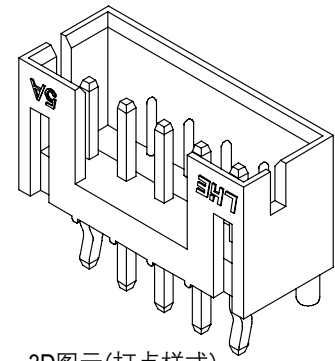
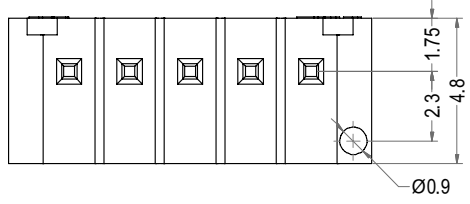
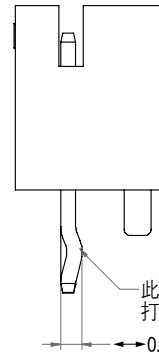
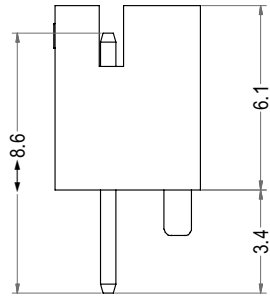
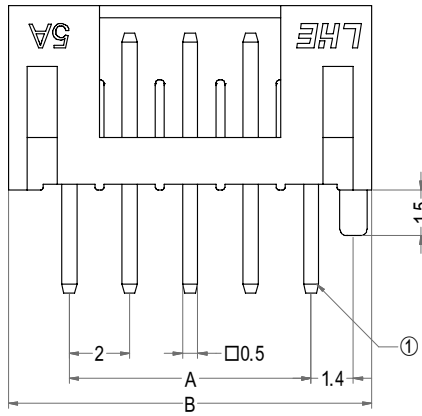


PH型连接器承认书图面



6	5	4	3	2	1
名称	材料	数量	图号	附注	
基座 Housing	Nylon 66 UL94V-0	1	LHE\GC-13	White(白色)	
针 Wafer	黄铜镀锡 Brass Tin	N			



3D图示(打点样式)

Poles	Part No.1	Description 1	Part No.2	Description 2	DIM=A	DIM=B
2	A2001-DWV02-K	PH-2AD打点	A2001-DWV02	PH-2AD	2.00	6.00
3	A2001-DWV03-K	PH-3AD打点	A2001-DWV03	PH-3AD	4.00	8.00
4	A2001-DWV04-K	PH-4AD打点	A2001-DWV04	PH-4AD	6.00	10.00
5	A2001-DWV05-K	PH-5AD打点	A2001-DWV05	PH-5AD	8.00	12.00
6	A2001-DWV06-K	PH-6AD打点	A2001-DWV06	PH-6AD	10.00	14.00
7	A2001-DWV07-K	PH-7AD打点	A2001-DWV07	PH-7AD	12.00	16.00
8	A2001-DWV08-K	PH-8AD打点	A2001-DWV08	PH-8AD	14.00	18.00
9	A2001-DWV09-K	PH-9AD打点	A2001-DWV09	PH-9AD	16.00	20.00
10	A2001-DWV10-K	PH-10AD打点	A2001-DWV10	PH-10AD	18.00	22.00
11	A2001-DWV11-K	PH-11AD打点	A2001-DWV11	PH-11AD	20.00	24.00
12	A2001-DWV12-K	PH-12AD打点	A2001-DWV12	PH-12AD	22.00	26.00
13	A2001-DWV13-K	PH-13AD打点	A2001-DWV13	PH-13AD	24.00	28.00
14	A2001-DWV14-K	PH-14AD打点	A2001-DWV14	PH-14AD	26.00	30.00
15	A2001-DWV15-K	PH-15AD打点	A2001-DWV15	PH-15AD	28.00	32.00
16	A2001-DWV16-K	PH-16AD打点	A2001-DWV16	PH-16AD	30.00	34.00
17	A2001-DWV17-K	PH-17AD打点	A2001-DWV17	PH-17AD	32.00	36.00
18	A2001-DWV18-K	PH-18AD打点	A2001-DWV18	PH-18AD	34.00	38.00
19	A2001-DWV19-K	PH-19AD打点	A2001-DWV19	PH-19AD	36.00	40.00
20	A2001-DWV20-K	PH-20AD打点	A2001-DWV20	PH-20AD	38.00	42.00

LHE 浙江联和电子有限公司			
品名	PH-AD	比例	4:1
料号	A2001-DWV	未注公差(mm)	
图号	LHE\GC-13	>0-3	±0.12
材料	Nylon 66 UL94V-0	>3-18	±0.15
制图	王天 2024-05-10	>18-50	±0.3
审核	天琴 2024-05-10	>50-120	±0.5
批准	季育文 2024-05-10	X°	±3°
视角		X.X°	±0.5°