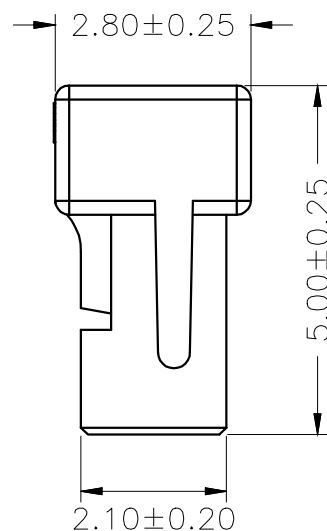
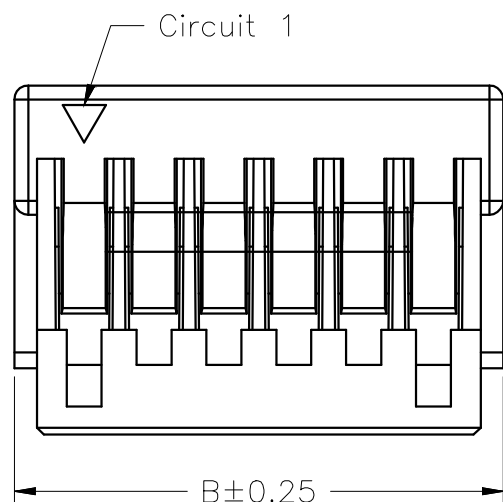
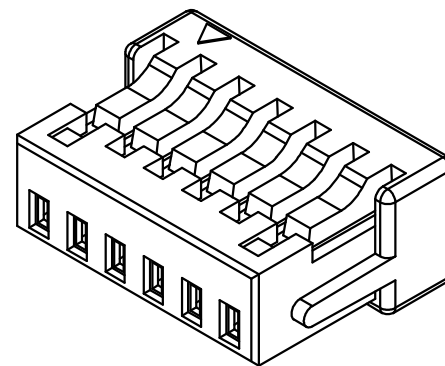
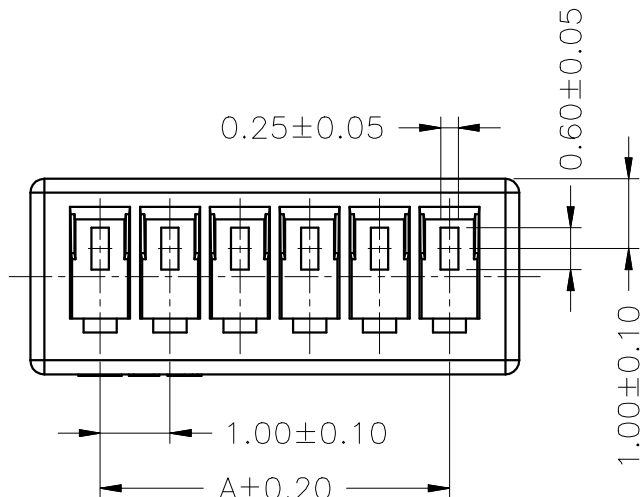


SH1.0承认图面

REV	SYM	REVISION RECORD	DR.	APPR.	DATE
A/0		原始版本			
A/1		1.0-NY无耳改为SH1.0-NY无耳			20190921



Poles	Part No.		Dimensions mm	
	A	B	A	B
2	A1001-HB02	SH1.0-2Y无耳	1.0	3.0
3	A1001-HB03	SH1.0-3Y无耳	2.0	4.0
4	A1001-HB04	SH1.0-4Y无耳	3.0	5.0
5	A1001-HB05	SH1.0-5Y无耳	4.0	6.0
6	A1001-HB06	SH1.0-6Y无耳	5.0	7.0
7	A1001-HB07	SH1.0-7Y无耳	6.0	8.0
8	A1001-HB08	SH1.0-8Y无耳	7.0	9.0
9	A1001-HB09	SH1.0-9Y无耳	8.0	10.0
10	A1001-HB10	SH1.0-10Y无耳	9.0	11.0
11	A1001-HB11	SH1.0-11Y无耳	10.0	12.0
12	A1001-HB12	SH1.0-12Y无耳	11.0	13.0
13	A1001-HB13	SH1.0-13Y无耳	12.0	14.0
14	A1001-HB14	SH1.0-14Y无耳	13.0	15.0
15	A1001-HB15	SH1.0-15Y无耳	14.0	16.0
16	A1001-HB16	SH1.0-16Y无耳	15.0	17.0
17	A1001-HB17	SH1.0-17Y无耳	16.0	18.0
18	A1001-HB18	SH1.0-18Y无耳	17.0	19.0
19	A1001-HB19	SH1.0-19Y无耳	18.0	20.0
20	A1001-HB20	SH1.0-20Y无耳	19.0	21.0

1	胶壳 (HOUSING)	PBT UL94V-0	1	White (白色)
序号	名称/料号	材料	数量	附注
未注公差				
X.° ±3° X.X° ±0.5°				
>0-3	>3-18	>18-50	>50-120	单位 比例
±0.12	±0.15	±0.3	±0.5	MM Only
制作 审核 批准		材料 图号	Part No.	
见图解		品名	SH1.0-NY无耳 (158)	

旧底图总号
底图总号
签字
日期