



# 承 认 书

## SPECIFICATION FOR APPROVAL

客户名称 CUSTOMER: \_\_\_\_\_

品名 DESCRIPTION: PR5-70基板端子

料号 CUSERTOMER PART NO: B13002

### 客户确认 APPROVED SIGNATURES

核准 APPROVAL: \_\_\_\_\_

日期 DATE: \_\_\_\_\_

工程 ENGINEERING: \_\_\_\_\_

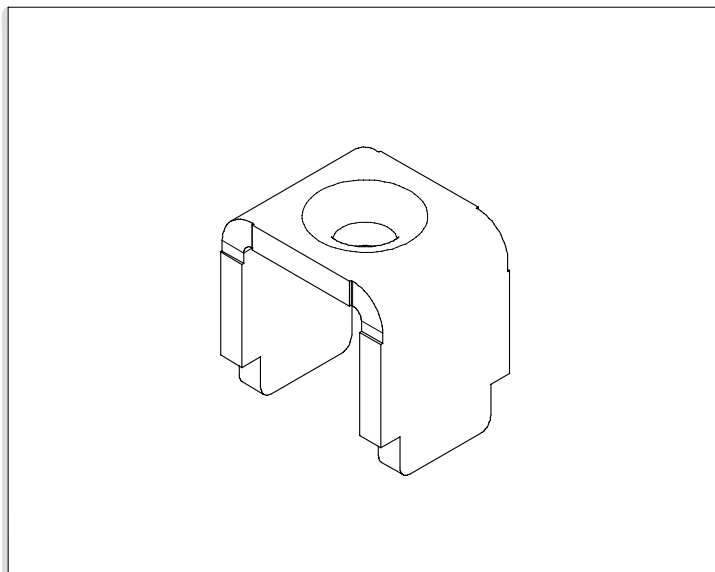
日期 DATE: \_\_\_\_\_

品管 QC: \_\_\_\_\_

日期 DATE: \_\_\_\_\_

承认结果:  承认  不承认

重新送样



### 规格 Specifications

1. 极数 Poles: /
2. 额定电流 Current rating: 70A AC,DC
3. 额定电压 Voltage rating: / AC,DC
4. 温度范围 Temperature range: -25°C to +105°C  
(含通电温度上升值)  
(Including temperature rise in applying electrical current)
5. 接触电阻 Contact resistance: 初期 Initial value / /  
环境测试后 After environmental testing / /
6. 绝缘电阻 Insulation resistance: /
7. 耐电压 Withstanding voltage: / AC/minute
8. 适用线规 Applicable wire: /
9. 螺钉扭矩 Screw torque: > 2.5N.m



目录(COVER)	1
料号说明(DESCRIPTION OF ITEM NUMBER)	2
图纸(DRAWING)	3
产品性能测试(PERFORMANCE TEST)	4
认证(CERTIFICATION)	6
端子 RoHS报告(TERMINAL RoHS REPORT)	14
MSDS	21
反馈与建议(FEEDBACK AND SUGGESTIONS)	23

制订 Edit: 邱铭慧 日期 DATE: 2023-03-12

审核 Check: 陈浙海 日期 DATE: 2023-03-12

批准 Approval: 季育文 日期 DATE: 2023-03-12

# PR5-70料号说明 Description of item number

## 端子料号说明 TERMINAL

**B13002N - T 2 2 A 30 5 P 2**

A: Wire to Board Connectors  
 B: Board-in Connectors  
 C: Wire to Wire Connectors  
 F: FFC/FPC Connectors  
 I: IDC  
 D: Chain Terminals and Splices

系列号 Series Number

K=直形带锁      N=直形  
 Z=旗形带锁      Q=旗形  
 X=横插带锁      H=横插  
 Y=叉形端子      J=插片  
 R=环形端子      C=圆形  
 G=接线端子  
 W=鲨鱼齿端子  
 特征类别(默认空) B=子弹形端子  
 Feature Category: U=耳扒形端子

产品类别 Product Category: T=端子 Terminal

同类别多型号序号(默认空)  
 Same Series Different Type: 1-9

同型号多尺寸序号(默认空)  
 Same Type Different size: 1-9

适用线规(默认空) A=小脚      B=中脚  
 Applicable Wire:    C=高脚      D=大脚

料带厚度单位: mm X100 (0.3X100=30 默认空)

配合厚度单位: mm X10 (0.5X10=5 默认空)  
 注: 所有<灰色>说明, 为D系列分类附加料号及说明!

Z=紫铜 Copper  
 S=不锈钢 Stainless Steel  
 P=磷青铜 Phos.Bronze  
 材质 Material: B=黄铜 Brass

0=素材酸洗 None  
 1=镀镍 Nickel Plating  
 2=镀亮锡 Tin Plating  
 3=镀镍光锡 Matt Tin-Nickel Plating  
 4=镀铅锡 Tin-Lead Plating  
 5=镀铜锡 Tin-Cu Plating  
 6=镀镍银 Silver-Nickel Plating  
 7=镀镍金 Gold-Nickel Plating  
 8=镀镍局部金 Nickel-Gold  
 9=镀亮锡局部金 Half Gold-Tin Plating  
 10=镀镍亮锡 Tin-Nickel Plating

表面处理  
 Surface processing:

备注:表面处理内容只在产品标签中体现!

## 其它料号说明 OTHER

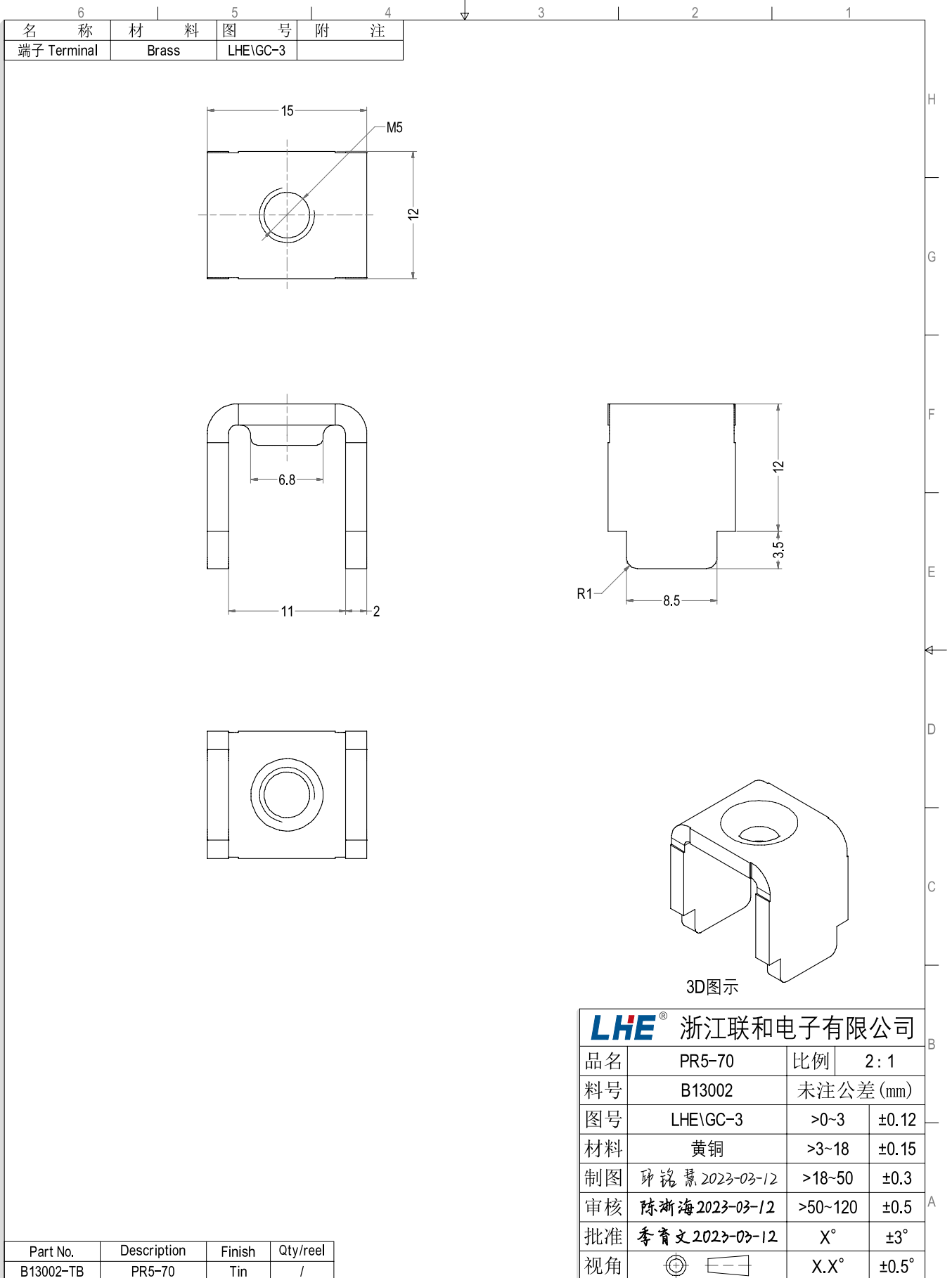
**P 0001 - B**

P: Other Types

产品序号 Product Number

同型号序号 Same Series Different Type: B-Z (默认空)

# PR5-70型端子承认书图面



项目 Item	测试条件 Test Condition	规格要求 Requirement	
1. 压着部位抗拉强度 Crimping Pull Out Force	在试验装置夹头中固定测试样品, 在连接的轴线方向施加拉力; 速度不大于25mm/min。 Fix the crimped terminal, apply axial pull out force on the wire at the speed rate of not more 25mm/min.	/	/
		/	/
		/	/
		/	/
		/	/
2. 壳体/端子固定力 Terminal/Housing Retention Force	固定连接器或测力计, 在连接器轴线方向施加规定的拉力; 速度不大于25mm/min。 Apply axial pull out force at the speed rate of not more 25mm/min on the pin assembled in the housing.	/	
3. 针的固定力 Pin Retention Force	固定连接器或测力计, 在连接器轴线方向对针施加规定的推力; 速度不大于25mm/min。 Apply axial push out force at the speed rate of not more 25mm/minute on the terminal assembled in the base.	/	
4. 可焊性 Solderability	把测试样品需要焊接的部位浸入焊锡炉中 (锡炉温度245°C±5°C)2±0.5秒钟。 Soldering time: 2±0.5 sec Solder Temperature:245°C±5°C	上锡率≥90% 90% of immersed area must show no voids,pin holes	
5. 耐焊接热 Resistance to Soldering Heat	把测试样品需要焊接的部位浸入焊锡炉中(锡炉温度260°C); 2±0.5秒钟后, 在正常的条件下恢复1小时。 Soldering time: 2±0.5 sec Solder Temperature:260°C	外观 Appearance	无损伤 No Damage
6. 耐高温 Heat Resistance	连接器配合后, 于+105°C±2°C的空气中放置96小时, 然后再回到室温中放置1~2小时测定 Mated connectors are exposed to a temperature of +105°C±2°C for 96 hours.	外观 Appearance	无损伤 No Damage
7. 耐低温 Cold Resistance	连接器配合后, 于-25°C±2°C的空气中放置96小时, 然后再回到室温中放置1~2小时测定 Mated connectors are exposed to a temperature of -25°C±2°C for 96 hours.	接触电阻 Contact Resistance LLCR	/
8. 温度上升 Temperature Rise	插入连接器, 通以最大允许电流。 Carrying rated current load.	温度最大上升 Temperature Rise	≤30°C
9. 恒定湿热 Humidity	温度 Temperature: 40±2°C 相对湿度 Relative Humidity: 90%~95% 搁置时间 Duration: 96h, 取出恢复2小时后检查	外观 Appearance	无损伤 No Damage
10. 温度循环 Temperature cycle	把测试样品放入高低温试验箱中,按下列步骤调试温度: a)在-25°C±2°C的恒温条件下放置0.5小时; b)在+105°C±2°C的恒温条件下放置0.5小时; 从a)到b)为一个循环周期,共进行5个循环。恢复1h后检查。 状态转换时间不多于1小时。 Mated connectors are exposed to 5 cycles of: a)-25°C±2°C 0.5hour b)+105°C±2°C 0.5hour	耐电压 Dielectric Strength	/
		绝缘电阻 Insulation Resistance	/
		接触电阻 Contact Resistance LLCR	/
11. 机械寿命 Repeated insertion/withdrawal	以每分钟插拔10次的速率, 插拔50次。 When mated up to 50 cycles repeatedly by the rate of 10 cycles per minute.	接触电阻 Contact Resistance LLCR	/
12. 机械振动 Vibration	插入连接器, 串联在一直流电源上, 电流100mA; 并模拟正常工作状态, 振频为10~55Hz、振幅1.5mm; 每一轴线扫频循环次数10次、2小时。 Frequency: 10~55Hz Amplitude: ±1.5mm Duration: 2 hours in each X,Y,Z axes	外观 Appearance	无损伤 No Damage
		接触电阻 Contact Resistance LLCR	/
		中断 Intermittence	≤1μ sec

# PR5-70产品性能测试 PERFORMANCE TEST



项目 Item	测试条件 Test Condition		规格要求 Requirement	
13. 机械冲击 Shock	连接器相配,沿X,Y,Z三轴正反方向各冲击3次(总共18次), 在测试过程中通以100mA电流。 冲击强度:490m/s <sup>2</sup> 持续时间:11ms Mated connectors and subject to the following shock conditions,3times of shock shall be applied for each 6 directions along 3 mutually perpendicular axes,passing DC 100mA current during the test(Total of 18 shocks)Test Pulse: Half Sine Peak Value:490m/s <sup>2</sup> Duration: 11ms		外观 Appearance	无损伤 No Damage
			接触电阻 Contact Resistance LLCR	/
			中断 Intermittence	≤1μ sec
14. 外观 Appearance	目测 Visual by eye 视力 Light: >1.0 照明 Lamp: 200~300Lx 目测距离 Space: 0.3~0.5m	1.塑料件表面应无明显疤痕、凹陷、开裂及影响使用的变形。 Plastic part:smooth and flat surface without discolor,broken,crack distortion defects is acceptable. 2.金属件表面无锈蚀、氧化、无明显的机械损伤等缺陷。 Metal part:btight and even surface without rust,oxide, fog and obvious physical damage defects is acceptable. 3.导线表面清洁、无破损等缺陷, 印字及标志清晰。 Wire:clearing surface without discolor,broken defects,indistinct words and mark is acceptable.		
15. 盐雾 Salt Spray	把先冲后镀*的测试样品从试验箱顶悬挂下来, 采用 浓度为5%±1(质量百分比)的氯化钠溶液, 连续 雾化16小时, 试验后用流动的蒸馏水轻轻洗去表 面沉积物。在常温常驻湿条件下恢复1~2小时。 16 hour exposure to a saltspray from the 5%±1 solution.	外观无损伤(五金件应无露出底金属的严重锈蚀; 使用预镀的型材, 其落料面允许有不影响其性能 的轻微腐蚀。) Appearance:No Damage(No erosion with material exposed.And with plating material, slight erosion on the cutting surface acceptable)		
16. 接触电阻 Contact Resistance	插合连接器,用小功率电路进行测试。 Mate connectors,measure by dry circuit.		/ (Initial value)	
17. 绝缘电阻 Insulation Resistance	在相邻接触件之间或地线之间, 用500V DC电压进行测试。 Apply 500V DC between adjacent terminal or ground.		/	
18. 耐电压 Dielectric Strength	相邻接触件之间或地线之间施加50Hz / AC(有效值), 漏电流1mA的电压作用, 时间1min。 Mate connectors, apply / AC for 1 minute between adjacent terminal or ground.		无击穿和飞弧现象 No Breakdown	
19. 插入力与拔出力 Insertion and Withdrawal Force	单PIN相配的接触器 以1mm/s~5mm/s的 速度沿接插器轴线 方向插入和拔出。 Insertion and withdraw single contact at the speed rate of 1mm/s~5mm/s.		极数 Poles	插入力(最大值N) Insertion(N Max) 1st 拔出力(最小值N) Withdrawal(N Min) 1st
	相配的连接器的以1mm/s~5mm/s的速度沿接插器轴线方向 插入和拔出。 Insertion and withdraw connectors at the speed rate of 1mm/s~5mm/s.			

\* 先冲后镀为定制端子。常规端子为先镀后冲, 无法通过盐雾试验。

制订 Edit: 邱铭慧 日期 DATE: 2023-03-12  
 审核 Check: 陈浙海 日期 DATE: 2023-03-12  
 批准 Approval: 季育文 日期 DATE: 2023-03-12

UL Product iQ<sup>™</sup>

# ECBT2.E364711 - Connectors for Use in Data, Signal, Control and Power Applications - Component

## Connectors for Use in Data, Signal, Control and Power Applications - Component

See General Information for Connectors for Use in Data, Signal, Control and Power Applications - Component

### ZHEJIANG LIANHE ELECTRONIC CO LTD

E364711

Chuangxin Road, YueQing Bay Port Zone  
Yueqing, Zhejiang 325600 CHINA

**Connector**, Model(s) 1.58-LHE f/b 2 , f/b 1 thru 12, f/b A2 or AW., 1.58-LHE f/b 2 thru 6, f/b A2 or AW

**Connector**, Model(s) 1.58-LHE followed by 2, followed by 1 thru 12, followed by A(T).

**Connector**, Model(s) 1.58-LHE, f/b 2 thru 6, f/b A(T), 1.58-LHE, f/b 2 thru 6, f/b Y(T), 1.58-LHE, f/b 2, f/b 1 thru 12, f/b Y(T), 2510-LHE f/b 2, f/b 1 thru 12, f/b A2 or AW, 2510-LHE f/b 2 thru 6, f/b A2 or AW

**Connector**, Model(s) 2510-LHE followed by 2, followed by 1 thru 12, followed by A(T)

**Connector**, Model(s) 2510-LHE, f/b 2 thru 6, f/b A(T), 2510-LHE, f/b 2 thru 6, f/b Y(T), 2510-LHE, f/b 2, f/b 1 thru 12, f/b Y(T), 5.08-LHE f/b 2, f/b 1 thru 12, f/b A2 or AW, 5.08-LHE f/b 2 thru 6, f/b A2 or AW

**Connector**, Model(s) 5.08-LHE followed by 2, followed by 1 thru 12, followed by A(T)

**Connector**, Model(s) 5.08-LHE, f/b 2 thru 6, f/b A(T), 5.08-LHE, f/b 2 thru 6, f/b Y(T), 5.08-LHE, f/b 2, f/b 1 thru 12, f/b Y(T), 51005-LHE f/b 2, f/b 1 thru 12, f/b A2 or AW, 51005-LHE f/b 2 thru 6, f/b A2 or AW

**Connector**, Model(s) 51005-LHE followed by 2, followed by 1 thru 12, followed by A(T)

**Connector**, Model(s) 51005-LHE, f/b 2 thru 6, f/b A(T), 51005-LHE, f/b 2 thru 6, f/b Y(T), 51005-LHE, f/b 2, f/b 1 thru 12, f/b Y(T), 51006-LHE f/b 2, f/b 1 thru 12, f/b A2 or AW, 51006-LHE f/b 2 thru 6, f/b A2 or AW

**Connector**, Model(s) 51006-LHE followed by 2, followed by 1 thru 12, followed by A(T)

**Connector**, Model(s) 51006-LHE, f/b 2 thru 6, f/b A(T), 51006-LHE, f/b 2 thru 6, f/b Y(T), 51006-LHE, f/b 2, f/b 1 thru 12, f/b Y(T), 5102-LHE f/b 2, f/b 1 thru 12, f/b A2 or AW, 5102-LHE f/b 2 thru 6, f/b A2 or AW

**Connector**, Model(s) 5102-LHE followed by 2, followed by 1 thru 12, followed by A(T)

**Connector**, Model(s) 5102-LHE, f/b 2 thru 6, f/b A(T), 5102-LHE, f/b 2 thru 6, f/b Y(T), 5102-LHE, f/b 2, f/b 1 thru 12, f/b Y(T), 5240-LHE f/b 2, f/b 1 thru 12, f/b A2 or AW, 5240-LHE f/b 2 thru 6, f/b A2 or AW

**Connector**, Model(s) 5240-LHE followed by 2, followed by 1 thru 12, followed by A(T)

**Connector**, Model(s) 5240-LHE, f/b 2 thru 6, f/b A(T), 5240-LHE, f/b 2 thru 6, f/b Y(T), 5240-LHE, f/b 2, f/b 1 thru 12, f/b Y(T), 5500-LHE f/b 2, f/b 1 thru 12, f/b A2 or AW, 5500-LHE f/b 2 thru 6, f/b A2 or AW

**Connector**, Model(s) 5500-LHE followed by 2, followed by 1 thru 12, followed by A(T)

**Connector**, Model(s) 5500-LHE, f/b 2 thru 6, f/b A(T), 5500-LHE, f/b 2 thru 6, f/b Y(T), 5500-LHE, f/b 2, f/b 1 thru 12, f/b Y(T), 5557 followed by 2 thru 6, followed by A(T), 5557 followed by 2 thru 6, followed by A2 or AW, 5557 followed by 2 thru 6, followed by Y(T)

**Connector**, Model(s) 5557 followed by 2, followed by 1 thru 12, followed by A(T).

- Connector**, Model(s) 5557 followed by 2, followed by 1 thru 12, followed by A2 or AW
- Connector**, Model(s) 5557 followed by 2, followed by 1 thru 12, followed by Y(T)
- Connector**, Model(s) 5559-LHE f/b 2 , f/b 1 thru 12, f/b A2 or AW, 5559-LHE f/b 2 thru 6, f/b A2 or AW
- Connector**, Model(s) 5559-LHE followed by 2, followed by 1 thru 12, followed by A(T).
- Connector**, Model(s) 5559-LHE, f/b 2 thru 6 , f/b A(T), 5559-LHE, f/b 2 thru 6, f/b Y(T), 5559-LHE, f/b 2, f/b 1 thru 12 , f/b Y(T), 5566-LHE f/b 2 , f/b 1 thru 12, f/b A2 or AW, 5566-LHE f/b 2 thru 6, f/b A2 or AW
- Connector**, Model(s) 5566-LHE followed by 2, followed by 1 thru 12, followed by A(T)
- Connector**, Model(s) 5566-LHE, f/b 2 thru 6 , f/b A(T), 5566-LHE, f/b 2 thru 6, f/b Y(T), 5566-LHE, f/b 2, f/b 1 thru 12 , f/b Y(T), 5569-LHE f/b 2 , f/b 1 thru 12, f/b A2 or AW, 5569-LHE f/b 2 thru 6, f/b A2 or AW
- Connector**, Model(s) 5569-LHE followed by 2, followed by 1 thru 12, followed by A(T)
- Connector**, Model(s) 5569-LHE, f/b 2 thru 6 , f/b A(T), 5569-LHE, f/b 2 thru 6, f/b Y(T), 5569-LHE, f/b 2, f/b 1 thru 12 , f/b Y(T), 5600-LHE f/b 2 , f/b 1 thru 12, f/b A2 or AW, 5600-LHE f/b 2 thru 6, f/b A2 or AW
- Connector**, Model(s) 5600-LHE followed by 2, followed by 1 thru 12, followed by A(T)
- Connector**, Model(s) 5600-LHE, f/b 2 thru 6 , f/b A(T), 5600-LHE, f/b 2 thru 6, f/b Y(T), 5600-LHE, f/b 2, f/b 1 thru 12 , f/b Y(T), 63080-LHE f/b 2 , f/b 1 thru 12, f/b A2 or AW, 63080-LHE f/b 2 thru 6, f/b A2 or AW
- Connector**, Model(s) 63080-LHE followed by 2, followed by 1 thru 12, followed by A(T)
- Connector**, Model(s) 63080-LHE, f/b 2 thru 6 , f/b A(T), 63080-LHE, f/b 2 thru 6, f/b Y(T), 63080-LHE, f/b 2, f/b 1 thru 12 , f/b Y(T), B2502 followed by 2 thru 16, followed by Y(T), BH3.5-2A(T), BH3.5-2Y(T), MX3.0 followed by 2 thru 12, followed by A(T), MX3.0 followed by 2 thru 12, followed by A2 or AW, MX3.0 followed by 2 thru 12, followed by Y(T)
- Connector**, Model(s) MX3.0 followed by 2, followed by 1 thru 12, followed by A(T).
- Connector**, Model(s) MX3.0 followed by 2, followed by 1 thru 12, followed by A2 or AW
- Connector**, Model(s) MX3.0 followed by 2, followed by 1 thru 12, followed by Y(T)
- Connector**, Model(s) PA-LHE f/b 2, f/b 1 thru 12, f/b Y(T), PA-LHE followed by 2 thru 12, followed by A(T)
- Connector**, Model(s) PA-LHE followed by 2 thru 12, followed by A2 or AW
- Connector**, Model(s) PA-LHE followed by 2 thru 12, followed by Y(T)
- Connector**, Model(s) PA-LHE followed by 2, followed by 1 thru 12, followed by A(T)
- Connector**, Model(s) PA-LHE followed by 2, followed by 1 thru 12, followed by A2 or AW
- Connector**, Model(s) PH, PHB, XHB, JC25, SCN followed by -2 thru -20, followed by Y(T), A, AW or AWD
- Connector**, Model(s) PHB followed by 2 thru 16, followed by Y(T). followed by 2 thru 16, followed by AWD, A, AW
- Connector**, Model(s) Series 1.25, 1254, 1255 followed by -2 thru -25, followed by Y(T), A or AW
- Connector**, Model(s) Series 5264 followed by -2 thru -16, followed by Y(T), A or AWD
- Connector**, Model(s) SM followed by -2 thru -18, followed by Y(T) or A(T)
- Connector**, Model(s) VH, 3.96 followed by -2 thru -16, followed by Y(T), A, AW or AWG
- Connector**, Model(s) XA-LHE f/b 2, f/b 1 thru 12, f/b Y(T), XA-LHE followed by 2 thru 12, followed by A(T)
- Connector**, Model(s) XA-LHE followed by 2 thru 12, followed by A2 or AW
- Connector**, Model(s) XA-LHE followed by 2 thru 12, followed by Y(T)
- Connector**, Model(s) XA-LHE followed by 2, followed by 1 thru 12, followed by A(T)
- Connector**, Model(s) XA-LHE followed by 2, followed by 1 thru 12, followed by A2 or AW
- Connector**, Model(s) XH followed by -2 thru -20, followed by Y(T), A, AW, AWGD, AWD or AWGDJ
- Connector**, Model(s) ZH followed by 2 thru 16, followed by AWD or A, ZH followed by 2 thru 16, followed by Y(T).



Model(s) 1.25, followed by -2 thru -16, followed by AB or AWB

Model(s) 51146 or FI-S, followed by -2 thru -16, followed by AB or AWB

Model(s) A5001, followed by -2 thru -7, followed by Y, Y(T), AD or AWD

Model(s) B2501-LHE, A2004-LHE, A4203-LHE, PHR-LHE, PHD-LHE, CH2.5-LHE, DF11-LHE, PHSD-LHE, A5001-LHE, 35155-LHE, 35156-LHE, 5195-LHE, 5196-LHE, followed by 2 thru 16, followed by Y(T)

Model(s) BHS-LHE, SMH250-LHE, SMH200-LHE, L6.2-LHE, 1806-LHE, 2060-LHE, 2541-LHE, JC15-LHE, XHD-LHE, followed by -2, followed by A(T), or Y(T)

Model(s) JWPf-LHE, B2541-LHE, NV-LHE, DV-LHE, SGN-LHE, SJN-LHE, SDN-LHE, SIN-LHE, 35150-LHE, 35151-LHE, 35180-LHE, 35182-LHE, 35524-LHE, 35965-LHE, RCY-LHE, LC-LHE, VR-LHE, SHJ-LHE, SHL-LHE, DF19-LHE, ACH-LHE, DF13-LHE, IL-Z-LHE, 51146-LHE, SATA-LHE, XSR-LHE, SUR-LHE, SUH-LHE, ZE-LHE, ZND-LHE, ZPD-LHE, A1502-LHE, SFH-LHE, 51004-LHE, PUD-LHE, A20010-LHE, 35507-LHE, DF3-LHE, PND-LHE, RE-LHE, RA-LHE, RF-LHE or A3963, followed by -2 thru -15, followed by Y(T), YB(T) or YC(T), A, A-K, AW, AW-K, AD, AD-K, AWGD, AWGD-K, AQ, AQ-K, AWQ, AWQ-K, AD(BH) or AD(BH)-K.

Model(s) PH, followed by -2 thru -16, followed by AB or AWB

Model(s) PHB, SZN-LHE, SAN-LHE, JC20-LHE, EH-LHE, EI-LHE, EL-LHE, S-EL-LHE, followed by 2 thru 16, followed by AWD, A, AW

Model(s) PHB, SZN-LHE, SAN-LHE, JC20-LHE, EH-LHE, EI-LHE, EL-LHE, S-EL-LHE, followed by 2 thru 16, followed by Y(T)

Model(s) PHB, XH, XHB or XHBD, followed by -2 thru -16, followed by AB or AWB.

Model(s) RAST 5-LHE TAB HEADER ASSY , TH, Vertical, Cat. Nos. 1969738-LHE, 1969740-LHE, 1971845-LHE, 1971846-LHE, 1971895-LHE, 1971896-LHE, 1971946-LHE thru 1971949-LHE, 1971954-LHE thru 1971957-LHE, 2232008-LHE thru 2232011-LHE, 2232000-LHE thru 2232003-LHE, 2232016-LHE thru 2232019-LHE, 1971962-LHE thru 1971965-LHE, 2232024-LHE thru 2232027-LHE, 2232289-LHE thru 2232292-LHE, 2232043-LHE thru 2232074-LHE, 2232298-LHE thru 2232301-LHE, 2232511-LHE, 2232532-LHE, 2232557-LHE, 2232559-LHE, 2232560-LHE, 2232562-LHE, 2232563-LHE, 2232565-LHE, 2232566-LHE, 2232568-LHE, 2232569-LHE, 2232571-LHE, 2232572-LHE, 2232574-LHE, 2232575-LHE, 2232577-LHE, 2232578-LHE, 2232580-LHE, 2232581-LHE, 2232583-LHE, 2232584-LHE, 2232586-LHE, 2232587-LHE, 2232589-LHE, 2232590-LHE, 2232592-LHE, 2232593-LHE, 2232595-LHE, 2232596-LHE, 2232598-LHE, 2232599-LHE, 2232601-LHE, 2232602-LHE, 2232604-LHE, 2232605-LHE, 2232607-LHE, 2232608-LHE, 2232611-LHE thru 2232682-LHE, 2292457-LHE, 2292458-LHE, may incorporate prefix and/or suffix number.), followed by -2 thru -7, followed by Y, Y(T), AD or AWD.

Model(s) SY, followed by -2, followed by Y, Y(T), A or A(T)

Model(s) SYP, SYR, BH4.0-LHE, A10001-LHE, A7501-LHE, A8001-LHE, C2541-LHE, C2542-LHE, D250R-LHE, D280K-LHE, D300R-LHE, D350R-LHE, D400B-LHE, D430R-LHE, D470G-LHE, D480J-LHE, D480K-LHE, D480N-LHE, D480Q-LHE, D520H-LHE, D520K-LHE, D520Q-LHE, D620G-LHE, D630J-LHE, D630N-LHE, D630Q-LHE, D700G-LHE, F001-LHE, F002-LHE, HIF3-LHE, MC100-LHE, MC100-LHE, ME020-LHE, ME010-LHE, F2541-LHE, D2301-LHE, 1719057-LHE, 1719059-1-LHE, P0011-LHE, P0012-LHE, P0013-LHE, C6001-LHE, D2201-LHE, D2202-LHE or P0001-LHE, followed by -2, followed by Y, Y(T), A or A(T).

Model(s) VL-LHE , YL-LHE, SL-LHE, FL-LHE, YHD200-LHE, HA-LHE, LGC-LHE, JR-LHE, SP-LHE, 5025-LHE, followed by 2, followed by 1 thru 12, followed by A(T), Y(T), A2 or AW



Model(s) VL-LHE, YL-LHE, SL-LHE, FL-LHE, YHD200-LHE, HA-LHE, LGC-LHE, JR-LHE, SP-LHE, 5025-LHE, followed by 2 thru 12, followed by A(T), Y(T), A2 or AW

Model(s) XHD, XHE or XHQ, followed by -2 thru -15, followed by Y(T), YB(T) or YC(T), A, A-K, AW, AW-K, AD, AD-K, AWGD, AWGD-K, AQ, AQ-K, AWQ, AWQ-K, AD(BH) or AD(BH)-K.

Model(s) ZH, followed by -2 thru -16, followed by AB or AWB

Model(s) ZHR-LHE, SH-LHE, GH-LHE, NH-LHE, C1251-LHE, DF14-LHE, 5501-LHE, 75416-LHE, 543-LHE, followed by 2 thru 16, followed by AWD or A

Model(s) ZHR-LHE, SH-LHE, GH-LHE, NH-LHE, C1251-LHE, DF14-LHE, 5501-LHE, 75416-LHE, 543-LHE, followed by 2 thru 16, followed by Y(T)

Marking: Company name or trademark  , model designation and the Recognized Component Mark,  on the device or carton.

Last Updated on 2020-02-20

并不是所有出现在本数据库中的公司名称和产品都满足了UL 跟踪检验服务的要求。只有带有 UL 标志的产品，才应该被视为经过 UL 认证，并满足UL 跟踪检验服务的要求。注意查看产品上的标志。

UL 允许在线认证目录中所含材料的复制遵循以下条件：1.指南信息、装配、构造、设计、系统和/或认证（文件）必须在不篡改任何数据（或图纸）的情况下完整且无误导性地呈现。2.“经 UL 允许从在线认证目录转载”声明必须出现在所摘录材料的邻近位置。此外，转载材料必须包含以下格式的版权声明：“© 2020 UL LLC”



# 产品认证证书

证书编号: CQC17134174484

发证日期: 2021年01月20日

有效期至: 2025年08月31日

委托人名称 浙江联和电子有限公司  
及注册地址 浙江省乐清市乐清湾港区乐商创业园

制造商名称 浙江联和电子有限公司  
及注册地址 浙江省乐清市乐清湾港区乐商创业园

生产企业名称 浙江联和电子有限公司  
及生产地址 浙江省乐清市乐清湾港区创新路8号

产品名称和系列、规格、型号 连接器聚酰胺 66(PA66)  
型号见附件, 材料名称: 聚酰胺 (PA66), 材料牌号: A3RV0, 全色, 球压:200°C, 灼热丝可燃性指数(GWFI):960/0.3, 灼热丝起燃温度(GWIT):960/0.3, 燃烧等级:V-0@0.3mm,CTI600, 红外光谱,差示扫描量热和热重分析见报告 00601-2020134003037

产品标准和技术要求 GB/T 5169.21-2017, GB/T 5169.12-2013, GB/T 5169.13-2013, GB/T 5169.16-2017, GB/T 4207-2012, GB/T 6040-2019, GB/T 19466.1-2004, GB/T 19466.2-2004, GB/T 19466.3-2004, ISO 11358-1:2014

认证模式 产品检测+获证后监督

上述产品符合 CQC13-036047-2009 认证规则的要求, 特发此证。  
证书有效期内本证书的有效性依据发证机构的定期监督获得保持。

可通过扫描下方二维码或登录国家认监委网站 ( www.cnca.gov.cn ) 查验证书信息



签发: 陆杨

## 中国质量认证中心



<http://www.cqc.com.cn>

中国·北京·南四环西路188号9区 100070

电话: +86 10 83886666

C 0453132

ZERTIFIKAT ■ CERTIFICATE ■ CERTIFICADO ■ CERTIFICAT

Verification No.: CLZJ1411264692



### VERIFICATION OF LVD COMPLIANCE

**Applicant:** Zhejiang Lianhe Electrical Co., Ltd.  
 Houyu village, Shifan town, Yueqing city, Zhejiang province, China.

**Manufacturer:** Same as applicant

**Product Description:** Connector Terminal

**Model No:** A1001, A1002, A1003, A1251, A1252, A1253, A1254, A1255, A1256, A1257, A1501, A1502, A1503, A2001, A2002, A2003, A2004, A2005, A2006, A2007, A2501, A2502, A2503, A2504, A2505, A2506, A2507, A2541, A2542, A2543, A2544, A2545, A3961, A3962, A3963, A3564, A5081, A5082, B1501, B1502, B2001, B2002, B2501, B2502, C01581, C01582, C1251, C2001, C2002, C2501, C2502, C2505, C2506, C3001, C3002, C3003, C3004, C3005, C3006, C3501, C3502, C3701, C3702, C4001, C4002, C4141, C4142, C4201, C4202, C4203, C4204, C4601, C4602, C4501, C4502, C4503, C4504, C5001, C5002, C5031, C5032, C6201, C6202, C6351, C6352, C6701, C6702, D2801, D2802, D2803, D4801, D4802, D4803, D4804, D6301, D6302, D6303

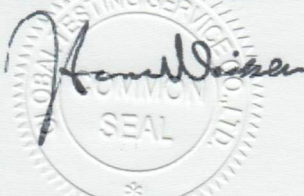
Sufficient samples of the product have been tested and found to be in conformity with  
**Test Standard:** EN 60320-1:2001/A1:2007  
 EN 60529:1991/A1:2000

As shown in the  
**Test Report Number(s):** TLZJ1411264692  
**Date of issue:** November 27, 2014

Conclusion

This Verification of LVD Compliance has been granted to the applicant based on the results of tests, performed by laboratory of Global Testing Services Co., Ltd on sample of the above-mentioned product in accordance with the provisions of the relevant specific standards and the Low Voltage Directive 2014/35/EU. The CE marking as shown below can be affixed, under the responsibility of the manufacturer, after completion of an EC Declaration of Conformity and compliance with all relevant EC Directives. The affixing of the CE marking presumes in addition that conditions the conditions in annexes III and IV of the Directive are fulfilled.

Approved by: Hermann Weiher





Global Testing Services Co., Ltd  
 E-mail: info@gts-lab.com <http://www.gts-lab.com>  
 Room 1501-1502, No. 520 Yishan Rd., Xuhui District, Shanghai, 200235 China



For and on behalf of  
 Global Testing Services Co., Ltd



Copyright of this certificate is owned by Global Testing Services Co., Ltd and may not be reproduced other than in full and with the prior approval of the General Manager.

 <b>PRODUCT CERTIFICATION</b>	
<b>CERTIFICATE NO.:</b> CQC17134174484	Valid from: Jan.20,2021 Valid until: Aug.31,2025
<b>NAME AND REGISTERED ADDRESS OF THE APPLICANT</b>	Zhejiang Lianhe Electronics Co., Ltd. Yueshang Pioneer Park,Yueqingwan Area, Yueqing City, Zhejiang Province
<b>NAME AND REGISTERED ADDRESS OF THE MANUFACTURER</b>	Zhejiang Lianhe Electronics Co., Ltd. Yueshang Pioneer Park,Yueqingwan Area, Yueqing City, Zhejiang Province
<b>NAME AND LOCATION OF THE FACTORY</b>	Zhejiang Lianhe Electronics Co., Ltd. No. 8, Chuangxin Road, Yueqing Bay Port District, Yueqing City, Zhejiang Province
<b>PRODUCT NAME, MODEL AND SPECIFICATION</b>	Connector ( PA66 ) See Annex , Material name: PA66, material grade: A3RV0, All color, Ball pressure:200°C, Glow-Wire Flammability Index(GWFI): 960/0.3, Glow-Wire Ignition Temperature(GWIT):960/0.3, Flammability:V-0@0.3mm, CTI600 , Infrared Analysis,Differential Scanning Calorimetry(DSC), Thermogravimetry (TG) to see report Ref.No: 00501-2020134003037
<b>THE STANDARDS AND TECHNICAL REQUIREMENTS FOR THE PRODUCTS</b>	GB/T 5169.21-2017, GB/T 5169.12-2013, GB/T 5169.13-2013, GB/T 5169.16-2017, GB/T 4207-2012, GB/T 6040-2019, GB/T 19466.1-2004, GB/T 19466.2-2004, GB/T 19466.3-2004, ISO 11358-1:2014
<b>TYPE OF CERTIFICATION SCHEMES</b>	Product Testing + Follow up Factory Inspection
This is to certify that the above mentioned product(s) complies with the requirements of certification rules of CQC13-036047-2009. The validity of the certificate is subject to positive result of the regular follow up inspection by issuing certification body until the expiry date.	
The certificate information is available through the QR code below or CNCA's website: <a href="http://www.cnca.gov.cn">www.cnca.gov.cn</a>	
	 SIGNATURE: 
<b>CHINA QUALITY CERTIFICATION CENTRE</b> 	
<a href="http://www.cqc.com.cn">http://www.cqc.com.cn</a>	Section 9, No.188, Nanshuan Xilu, Beijing 100070 P.R.China
Tel: +86 10 83886666	

C 0453132



THE INTERNATIONAL CERTIFICATION NETWORK

# CERTIFICATE

**CQC** has issued an IQNet recognized certificate that the organization:  
**ZheJiang Lianhe Electronics Co.,Ltd.**

Registered Address: Yueqing Bay Port Area, Yueqing City, Wenzhou City, Zhejiang Province, P.R.China  
 Operation Address: No.8 Innovation Road, Yueqing Bay Port Area, Yueqing City, Wenzhou City, Zhejiang Province, P.R.China

has implemented and maintains an  
**Environmental Management System**

for the following scope:

Design and Production of Connector and Related Management Activities

which fulfils the requirements of the following standard:

GBT 24001-2016 / ISO 14001:2015

Issued on: February 12, 2020

Expires on: February 11, 2023

Registration Number: **CN00120E30414R0S/3302**

*This attestation is directly linked to the IQNet Partner's original certificate and shall not be used as a stand-alone document*



Alex Stoichitoiu  
 President of IQNet

Lu Mei  
 President of CQC



**IQNet Partners\*:**

- AENOR Spain AFNOR Certification France APCER Portugal CCC Cyprus CISQ Italy
- CQC China CQM China CQS Czech Republic Cro Cert Croatia DQS Holding GmbH Germany EAGLE Certification Group USA
- FCAV Brazil FONDONORMA Venezuela ICONTEC Colombia Inspecta Sertifiointi Oy Finland INTECO Costa Rica
- IRAM Argentina JQA Japan KFQ Korea MIRTEC Greece MSZT Hungary Nemko AS Norway NSAI Ireland
- NYCE-SIGE Mexico PCBC Poland Quality Austria Austria RR Russia SII Israel SIQ Slovenia
- SIRIM QAS International Malaysia SQS Switzerland SRAC Romania TEST St Petersburg Russia TSE Turkey YUQS Serbia

\* The list of IQNet partners is valid at the time of issue of this certificate. Updated information is available under [www.iqnet-certification.com](http://www.iqnet-certification.com)



检测报告

编号: NGBEC2200904704

日期: 2022年05月17日

第1页,共7页

客户名称: 浙江联和电子有限公司  
客户地址: 浙江省乐清市乐清湾港区创新路8号

样品名称: 端子针  
客户参考信息: 见附件  
以上样品及信息由客户提供。

SGS工作编号: NP22-002236 - NB  
样品接收日期: 2022年05月07日  
检测周期: 2022年05月07日 - 2022年05月17日  
检测要求: 根据客户要求检测  
检测方法: 请参见下一页  
检测结果: 请参见下一页  
结论: 基于所送样品进行的检测, 镉、铅、汞、六价铬的检测结果显示符合欧盟RoHS指令2011/65/EU附录II的修正指令(EU) 2015/863的限值要求。

通标标准技术服务有限公司宁波分公司  
授权签名

张倩倩

Ashley Zhang 张倩倩  
批准签署人

scan to see the report



C32B7C43



Unless otherwise agreed in writing, this document is issued by the Company subject to its General Conditions of Service printed overleaf, available on request or accessible at <http://www.sgs.com/en/Terms-and-Conditions.aspx> and, for electronic formal documents, subject to Terms and Conditions for Electronic Documents at <http://www.sgs.com/en/Terms-and-Conditions/Terms-e-Documents.aspx>. Attention is drawn to the limitation of liability, indemnification and jurisdiction issues defined therein. Any holder of this document is advised that information contained hereon reflects the Company's findings at the time of its intervention only and within the limits of Client's instructions, if any. The Company's sole responsibility is to its Client and this document does not exonerate parties to a transaction from exercising all their rights and obligations under the transaction documents. This document cannot be reproduced except in full, without prior written approval of the Company. Any unauthorized alteration, forgery or falsification of the content or appearance of this document is unlawful and offenders may be prosecuted to the fullest extent of the law. Unless otherwise stated the results shown in this test report refer only to the sample(s) tested.  
Attention: To check the authenticity of testing /inspection report & certificate, please contact us at telephone: (86-755) 8307 1443, or email: [CN.Doccheck@sgs.com](mailto:CN.Doccheck@sgs.com)

SGS-CSTC Technical Services Co., Ltd.  
Ningbo Branch Chemical Laboratory

No.1177, Lingyun Road, Hi-Tech Zone, Ningbo, Zhejiang, China 315040 tE&E (86-574)89070249 www.sgs.com.cn  
中国·浙江·宁波高新区凌云路1177号 邮编: 315040 tHL (86-574)89070271 tML (86-574)89070242 sgs.china@sgs.com

Member of the SGS Group (SGS SA)



## 检测报告

编号: NGBEC2200904704

日期: 2022年05月17日

第2页,共7页

检测结果:

检测样品描述:

样品编号	SGS样品ID	描述
SN1	NGB22-009047.001	银色金属

备注:

- (1) 1 mg/kg = 0.0001%
- (2) MDL = 方法检测限
- (3) ND = 未检出 (< MDL)
- (4) "-" = 未规定

## RoHS指令2011/65/EU附录II的修正指令(EU) 2015/863

检测方法: 参考IEC 62321-4:2013+AMD1:2017, IEC 62321-5:2013 和 IEC 62321-7-1:2015, 采用ICP-OES和UV-Vis 进行分析.

检测项目	限值	单位	MDL	001
镉 (Cd)	100	mg/kg	2	ND
铅(Pb)	1000	mg/kg	2	5
汞 (Hg)	1000	mg/kg	2	ND
六价铬(Cr(VI))▼	-	µg/cm <sup>2</sup>	0.10	ND

备注:

- (1) 最大允许限值引用自RoHS指令(EU) 2015/863。
- (2) IEC 62321 系列等同于 EN 62321 系列  
[https://www.cenelec.eu/dyn/www/f?p=104:30:1742232870351101:::FSP\\_ORG\\_ID,FSP\\_LANG\\_ID:1258637,25](https://www.cenelec.eu/dyn/www/f?p=104:30:1742232870351101:::FSP_ORG_ID,FSP_LANG_ID:1258637,25)
- (3) ▼ = a. 当六价铬的浓度高于0.13 µg/cm<sup>2</sup>时, 样品为阳性, 即含有六价铬;  
b. 当六价铬的浓度为ND(低于0.10 µg/cm<sup>2</sup>)时, 样品为阴性, 即未检测到六价铬;  
c. 当六价铬的浓度介于0.10 µg/cm<sup>2</sup>与0.13 µg/cm<sup>2</sup>之间时, 无法直接判定是否检测到六价铬, 因不同个体的样品表面差异可能会影响测定结果;  
由于未获知样品的存储条件和生产日期, 样品的六价铬测试结果仅能代表测试时样品含六价铬的状态。除非另有说明, 参照ILAC-G8:09/2019, 使用简单接受 ( $w=0$ ) 的二元判定规则进行符合性判定。除非另有说明, 此报告结果仅对检测的样品负责。本报告未经本公司书面许可, 不可部分复制。检测报告仅用于客户科研、教学、内部质量控制、产品研发等目的, 仅供内部参考。



Unless otherwise agreed in writing, this document is issued by the Company subject to its General Conditions of Service printed overleaf, available on request or accessible at <http://www.sgs.com/en/Terms-and-Conditions.aspx> and, for electronic format documents, subject to Terms and Conditions for Electronic Documents at <http://www.sgs.com/en/terms-and-conditions/terms-a-document.aspx>. Attention is drawn to the limitation of liability, indemnification and jurisdiction issues defined therein. Any holder of this document is advised that information contained hereon reflects the Company's findings at the time of its intervention only and within the limits of Client's instructions, if any. The Company's sole responsibility is to its Client and this document does not exonerate parties to a transaction from exercising all their rights and obligations under the transaction documents. This document cannot be reproduced except in full, without prior written approval of the Company. Any unauthorized alteration, forgery or falsification of the content or appearance of this document is unlawful and offenders may be prosecuted to the fullest extent of the law. Unless otherwise stated the results shown in this test report refer only to the sample(s) tested.  
Attention: To check the authenticity of testing/inspection report & certificate, please contact us at telephone: (86-755) 8307 1443, or email: [CN.Doccheck@sgs.com](mailto:CN.Doccheck@sgs.com)  
No.1177, Lingyun Road, Hi-Tech Zone, Ningbo, Zhejiang, China 315040 tE&E (86-574)89070249 www.sgs.com  
中国·浙江·宁波高新区凌云路1177号 邮编: 315040 tHL (86-574)89070271 tML (86-574)89070242 sgs.china@sgs.com

Member of the SGS Group (SGS SA)





检测报告

编号: NGBEC2200904704

日期: 2022年05月17日

第3页,共7页

附件:

XH, 1.0, SH, SHD, 1.25, 51021, DF14, DF13, GH, ZH, PH, PHB, PA, PHSD, DF11, C1251, 51047, 51146, FI-S, PHD, YHD200, PA, SMP, SMW, SMH, SMH200, SMH200-H, YH200, 20039WR, 杜邦2.0, XH/TJC3, XA, HA, XHB, XHD, XHE, EH, EI, 小四P, 5263, 5264, 5267, 5268, SZN, SAN, SCN, SCND, JC15, JC20, JC25, 5102, 5240, SMH250, SMP250, SMW250, 25048HS, 25045HP, SM, TJC8, 杜邦2.54, TJC8A, 杜邦带锁, TJC8B, TJC8H, 5051, 2510, 美尚美, 43640, 43645, 43020, 43025, 5500, 5600, VH, VHRR, YH396, VHR, 35156, 2139, 3.96, 90331, 5195, 5196, 39612, FL, 5557, 5559, 5566, 5569, SL, RV42, EL, YL, 小EL, 8981, 大四P, 5058, 5.08, L6.2, VL, VLP/VLR, TJC2, TJC2A, TJC2B, TJC4, TJC1, 1806, MX3.0, 1.58, 51005, 51006, BH3.5, BH4.0, 63080, 51004, TJC15, A4203, CL014, OTP, MKH, SMF, Cy-X201, 35108, 35150, 35151, 35224, 35180, 35965, 42021, 42022, 42002, 35955, SA, SCS, 35189, 35196, CH10, CH2.5, 543, SLP, SLR, YHL500, YWL500, FFC, FPC, 20030, 250, LGC, S11, YH025, 35155, 25415, 5197, 5198, 110, 2.8, 6.3, SCS NH, XHQ, 42474, 42475, QH, NV, 50300, 50301, 5025, 3191, 5199, STV5, YHL500, YWL500, F001, F002, D440, D600, D620, D700, D220, D230, D250, D480, D520, D280, D630, D430, D400, D450, U-T, F1001-T, SIN-T, 774, 773, 778, 294, TU-JTK (SV), TU (SNB), TO-JTK (RV), MDD, FDD, TG-JT, IDC, AUTO, CONNECTOR, DJ70, DT04, DT06, UY/K1, UY2/K2, UR/K3, UR2, UB/K4, UB2A, UG/K5, U1R/K8, U1B/K9, HJKT10, UDW2, 314, A5001, A5002, MC100, FPC2.54, SGN, PHR, ZHR, 205, 5.2, C1801, C1802, 2060, A5003, ME020, ME010, FPC/FFC, B2541, 1971845, 1971846, 2232043, 2232044, 2232511, 1971895, 1971896, JWPF, SY, Molex1.5, ME0100, RAST, A5004, DV, SJN, SDN, 35182, 35524, RCY, LC, VR, SHJ, SHL, DF19, ACH, IL-Z, SATA, XSR, SUR, SUH, ZE, ZND, ZPD, SFH, PUD, AMP2.0, 35507, DF3, PND, RE, RA, RF, SYP/SYR, HIF3, MC100/ME020/ME010, F2541, A5005, A5006, A5007, A2509, A25010, A25011, A25012, B13001, B76201, VHB, VHC, VHD 1969738, 1969740, 1971845, 1971846, 1971895, 1971896, 1971946 thru 1971949, 1971954 thru 1971957, 2232008 thru 2232011, 2232000 thru 2232003, 2232016 thru 2232019, 1971962 thru 1971965, 2232024 thru 2232027, 2232289 thru 2232292, 2232043 thru 2232074, 2232298 thru 2232301, 2232511, 2232532, 2232557, 2232559, 2232560, 2232562, 2232563, 2232565, 2232566, 2232568, 2232569, 2232571, 2232572, 2232574, 2232575, 2232577, 2232578, 2232580, 2232581, 2232583, 2232584, 2232586, 2232587, 2232589, 2232590, 2232592, 2232593, 2232595, 2232596, 2232598, 2232599, 2232601, 2232602, 2232604, 2232605, 2232607, 2232608, 2232611 thru 2232682, 2292457, 2292458, 1064, 2064, 3064, 1080, 2080, 3080, 1100, 2100, 3100, 1120, 2120, 3120, 1150, 2150, 3150, 1180, 2180, 3180, 1230, 2230, 3230, 1250, 2250, 3250, 1280, 2280, 3280, 1300, 2300, 3300, 1480, 2480, 3480, 1630, 2630, 3630, 1780, 2780, 3780, 1950, 2950, 3950, 1010, 2010, 3010, 1013, 2013, 3013, 1015, 2015, 3015, 1016, 2016, 3016, 1025, 2025, 3025, 1035, 2035, 3035, 1045, 2045, 3045, 1058, 2058, 3058, 1999, 2999, 3999, 401, 402, 403, 503, TPA, BX A1001 A1002 A1003 A1004 A1005 A1006 A1007 A1008 A1009 A1251 A1252 A1253 A1254 A1255 A1256 A1257 A1258 A1259 A1501 A1502 A1503 A1504 A1505 A1506 A1507 A1508 A1509 A2001 A2002 A2003 A2004 A2005 A2006 A2007 A2008 A2009 A2010 A2011 A2012 A2013 A2014 A2015 A2016 A2017 A2018 A2501 A2502 A2503 A2504 A2505 A2506 A2507 A2508 A2509 A25010 A25011 A25012 A25013 A25014 A25015 A25016 A25017 A25018 A25019 A25020 A25021 A25022 A25023 A25024 A25025 A25026 A25027 A25028 A25029 A25030 A25031 A25032 A25033 A25034 A25035 A25036 A25037 A25038 A25039 A25040 A25041 A25042 A25043 A25044 A25045 A25046 A25047 A25048 A25049 A3001 A3002 A3003 A3004 A3005 A3006 A3007 A3008 A3009 A3010 A3011 A3012 A3013 A3014 A3015 A3016 A3017 A3018 A3019 A3020 A3021 A3022 A3023 A3024 A3025 A3026 A3027 A3028 A3029 A3030 A3031 A3032 A3033 A3034 A3035 A3036 A3037 A3038 A3039 A3040 A3041 A3042 A3043 A3044 A3045 A3046 A3047 A3048 A3049 A3050 A3051 A3052 A3053 A3054 A3055 A3056 A3057 A3058 A3059 A3060 A3061 A3062 A3063 A3064 A3065 A3066 A3067 A3068 A3069 A3070 A3071 A3072 A3073 A3074 A3075 A3076 A3077 A3078 A3079 A3080 A3081 A3082 A3083 A3084 A3085 A3086 A3087 A3088 A3089 A3090 A3091 A3092 A3093 A3094 A3095 A3096 A3097 A3098 A3099 A3100 A3101 A3102 A3103 A3104 A3105 A3106 A3107 A3108 A3109 A3110 A3111 A3112 A3113 A3114 A3115 A3116 A3117 A3118 A3119 A3120 A3121 A3122 A3123 A3124 A3125 A3126 A3127 A3128 A3129 A3130 A3131 A3132 A3133 A3134 A3135 A3136 A3137 A3138 A3139 A3140 A3141 A3142 A3143 A3144 A3145 A3146 A3147 A3148 A3149 A3150 A3151 A3152 A3153 A3154 A3155 A3156 A3157 A3158 A3159 A3160 A3161 A3162 A3163 A3164 A3165 A3166 A3167 A3168 A3169 A3170 A3171 A3172 A3173 A3174 A3175 A3176 A3177 A3178 A3179 A3180 A3181 A3182 A3183 A3184 A3185 A3186 A3187 A3188 A3189 A3190 A3191 A3192 A3193 A3194 A3195 A3196 A3197 A3198 A3199 A3200 A3201 A3202 A3203 A3204 A3205 A3206 A3207 A3208 A3209 A3210 A3211 A3212 A3213 A3214 A3215 A3216 A3217 A3218 A3219 A3220 A3221 A3222 A3223 A3224 A3225 A3226 A3227 A3228 A3229 A3230 A3231 A3232 A3233 A3234 A3235 A3236 A3237 A3238 A3239 A3240 A3241 A3242 A3243 A3244 A3245 A3246 A3247 A3248 A3249 A3250 A3251 A3252 A3253 A3254 A3255 A3256 A3257 A3258 A3259 A3260 A3261 A3262 A3263 A3264 A3265 A3266 A3267 A3268 A3269 A3270 A3271 A3272 A3273 A3274 A3275 A3276 A3277 A3278 A3279 A3280 A3281 A3282 A3283 A3284 A3285 A3286 A3287 A3288 A3289 A3290 A3291 A3292 A3293 A3294 A3295 A3296 A3297 A3298 A3299 A3300 A3301 A3302 A3303 A3304 A3305 A3306 A3307 A3308 A3309 A3310 A3311 A3312 A3313 A3314 A3315 A3316 A3317 A3318 A3319 A3320 A3321 A3322 A3323 A3324 A3325 A3326 A3327 A3328 A3329 A3330 A3331 A3332 A3333 A3334 A3335 A3336 A3337 A3338 A3339 A3340 A3341 A3342 A3343 A3344 A3345 A3346 A3347 A3348 A3349 A3350 A3351 A3352 A3353 A3354 A3355 A3356 A3357 A3358 A3359 A3360 A3361 A3362 A3363 A3364 A3365 A3366 A3367 A3368 A3369 A3370 A3371 A3372 A3373 A3374 A3375 A3376 A3377 A3378 A3379 A3380 A3381 A3382 A3383 A3384 A3385 A3386 A3387 A3388 A3389 A3390 A3391 A3392 A3393 A3394 A3395 A3396 A3397 A3398 A3399 A3400 A3401 A3402 A3403 A3404 A3405 A3406 A3407 A3408 A3409 A3410 A3411 A3412 A3413 A3414 A3415 A3416 A3417 A3418 A3419 A3420 A3421 A3422 A3423 A3424 A3425 A3426 A3427 A3428 A3429 A3430 A3431 A3432 A3433 A3434 A3435 A3436 A3437 A3438 A3439 A3440 A3441 A3442 A3443 A3444 A3445 A3446 A3447 A3448 A3449 A3450 A3451 A3452 A3453 A3454 A3455 A3456 A3457 A3458 A3459 A3460 A3461 A3462 A3463 A3464 A3465 A3466 A3467 A3468 A3469 A3470 A3471 A3472 A3473 A3474 A3475 A3476 A3477 A3478 A3479 A3480 A3481 A3482 A3483 A3484 A3485 A3486 A3487 A3488 A3489 A3490 A3491 A3492 A3493 A3494 A3495 A3496 A3497 A3498 A3499 A3500 A3501 A3502 A3503 A3504 A3505 A3506 A3507 A3508 A3509 A3510 A3511 A3512 A3513 A3514 A3515 A3516 A3517 A3518 A3519 A3520 A3521 A3522 A3523 A3524 A3525 A3526 A3527 A3528 A3529 A3530 A3531 A3532 A3533 A3534 A3535 A3536 A3537 A3538 A3539 A3540 A3541 A3542 A3543 A3544 A3545 A3546 A3547 A3548 A3549 A3550 A3551 A3552 A3553 A3554 A3555 A3556 A3557 A3558 A3559 A3560 A3561 A3562 A3563 A3564 A3565 A3566 A3567 A3568 A3569 A3570 A3571 A3572 A3573 A3574 A3575 A3576 A3577 A3578 A3579 A3580 A3581 A3582 A3583 A3584 A3585 A3586 A3587 A3588 A3589 A3590 A3591 A3592 A3593 A3594 A3595 A3596 A3597 A3598 A3599 A3600 A3601 A3602 A3603 A3604 A3605 A3606 A3607 A3608 A3609 A3610 A3611 A3612 A3613 A3614 A3615 A3616 A3617 A3618 A3619 A3620 A3621 A3622 A3623 A3624 A3625 A3626 A3627 A3628 A3629 A3630 A3631 A3632 A3633 A3634 A3635 A3636 A3637 A3638 A3639 A3640 A3641 A3642 A3643 A3644 A3645 A3646 A3647 A3648 A3649 A3650 A3651 A3652 A3653 A3654 A3655 A3656 A3657 A3658 A3659 A3660 A3661 A3662 A3663 A3664 A3665 A3666 A3667 A3668 A3669 A3670 A3671 A3672 A3673 A3674 A3675 A3676 A3677 A3678 A3679 A3680 A3681 A3682 A3683 A3684 A3685 A3686 A3687 A3688 A3689 A3690 A3691 A3692 A3693 A3694 A3695 A3696 A3697 A3698 A3699 A3700 A3701 A3702 A3703 A3704 A3705 A3706 A3707 A3708 A3709 A3710 A3711 A3712 A3713 A3714 A3715 A3716 A3717 A3718 A3719 A3720 A3721 A3722 A3723 A3724 A3725 A3726 A3727 A3728 A3729 A3730 A3731 A3732 A3733 A3734 A3735 A3736 A3737 A3738 A3739 A3740 A3741 A3742 A3743 A3744 A3745 A3746 A3747 A3748 A3749 A3750 A3751 A3752 A3753 A3754 A3755 A3756 A3757 A3758 A3759 A3760 A3761 A3762 A3763 A3764 A3765 A3766 A3767 A3768 A3769 A3770 A3771 A3772 A3773 A3774 A3775 A3776 A3777 A3778 A3779 A3780 A3781 A3782 A3783 A3784 A3785 A3786 A3787 A3788 A3789 A3790 A3791 A3792 A3793 A3794 A3795 A3796 A3797 A3798 A3799 A3800 A3801 A3802 A3803 A3804 A3805 A3806 A3807 A3808 A3809 A3810 A3811 A3812 A3813 A3814 A3815 A3816 A3817 A3818 A3819 A3820 A3821 A3822 A3823 A3824 A3825 A3826 A3827 A3828 A3829 A3830 A3831 A3832 A3833 A3834 A3835 A3836 A3837 A3838 A3839 A3840 A3841 A3842 A3843 A3844 A3845 A3846 A3847 A3848 A3849 A3850 A3851 A3852 A3853 A3854 A3855 A3856 A3857 A3858 A3859 A3860 A3861 A3862 A3863 A3864 A3865 A3866 A3867 A3868 A3869 A3870 A3871 A3872 A3873 A3874 A3875 A3876 A3877 A3878 A3879 A3880 A3881 A3882 A3883 A3884 A3885 A3886 A3887 A3888 A3889 A3890 A3891 A3892 A3893 A3894 A3895 A3896 A3897 A3898 A3899 A3900 A3901 A3902 A3903 A3904 A3905 A3906 A3907 A3908 A3909 A3910 A3911 A3912 A3913 A3914 A3915 A3916 A3917 A3918 A3919 A3920 A3921 A3922 A3923 A3924 A3925 A3926 A3927 A3928 A3929 A3930 A3931 A3932 A3933 A3934 A3935 A3936 A3937 A3938 A3939 A3940 A3941 A3942 A3943 A3944 A3945 A3946 A3947 A3948 A3949 A3950 A3951 A3952 A3953 A3954 A3955 A3956 A3957 A3958 A3959 A3960 A3961 A3962 A3963 A3964 A3965 A3966 A3967 A3968 A3969 A3970 A3971 A3972 A3973 A3974 A3975 A3976 A3977 A3978 A3979 A3980 A3981 A3982 A3983 A3984 A3985 A3986 A3987 A3988 A3989 A3990 A3991 A3992 A3993 A3994 A3995 A3996 A3997 A3998 A3999 A4000 A4001 A4002 A4003 A4004 A4005 A4006 A4007 A4008 A4009 A4010 A4011 A4012 A4013 A4014 A4015 A4016 A4017 A4018 A4019 A4020 A4021 A4022 A4023 A4024 A4025 A4026 A4027 A4028 A4029 A4030 A4031 A4032 A4033 A4034 A4035 A4036 A4037 A4038 A4039 A4040 A4041 A4042 A4043 A4044 A4045 A4046 A4047 A4048 A4049 A4050 A4051 A4052 A4053 A4054 A4055 A4056 A4057 A4058 A4059 A4060 A4061 A4062 A4063 A4064 A4065 A4066 A4067 A4068 A4069 A4070 A4071 A4072 A4073 A4074 A4075 A4076 A4077 A4078 A4079 A4080 A4081 A4082 A4083 A4084 A4085 A4086 A4087 A4088 A4089 A4090 A4091 A4092 A4093 A4094 A4095 A4096 A4097 A4098 A4099 A4100 A4101 A4102 A4103 A4104 A4105 A4106 A4107 A4108 A4109 A4110 A4111 A4112 A4113 A4114 A4115 A4116 A4117 A4118 A4119 A4120 A4121 A4122 A4123 A4124 A4125 A4126 A4127 A4128 A4129 A4130 A4131 A4132 A4133 A4134 A4135 A4136 A4137 A4138 A4139 A4140 A4141 A4142 A4143 A4144 A4145 A4146 A4147 A4148 A4149 A4150 A4151 A4152 A4153 A4154 A4155 A4156 A4157 A4158 A4159 A4160 A4161 A4162 A4163 A4164 A4165 A4166 A4167 A4168 A4169 A4170 A4171 A4172 A4173 A4174 A4175 A4176 A4177 A4178 A4179 A4180 A4181 A4182 A4183 A4184 A4185 A4186 A4187 A4188 A4189 A4190 A4191 A4192 A4193 A4194 A4195 A4196 A4197 A4198 A4199 A4200 A4201 A4202 A4203 A4204 A4205 A4206 A4207 A4208 A4209 A4210 A4211 A4212 A4213 A4214 A4215 A4216 A4217 A4218 A4219 A4220 A4221 A4222 A4223 A4224 A4225 A4226 A4227 A4228 A4229 A4230 A4231 A4232 A4233 A4234 A4235 A4236 A4237 A4238 A4239 A4240 A4241 A4242 A4243 A4244 A4245 A4246 A4247 A4248 A4249 A4250 A4251 A4252 A4253 A4254 A4255 A4256 A4257 A4258 A4259 A4260 A4261 A4262 A4263 A4264 A4265 A4266 A4267 A4268 A4269 A4270 A4271 A4272 A4273 A4274 A4275 A4276 A4277 A4278 A4279 A4280 A4281 A4282 A4283 A4284 A4285 A4286 A4287 A4288 A4289 A4290 A4291 A4292 A4293 A4294 A4295 A4296 A4297 A4298 A4299 A4300 A4301 A4302 A4303 A4304 A4305 A4306 A4307 A4308 A4309 A4310 A4311 A4312 A4313 A4314 A4315 A4316 A4317 A4318 A4319 A4320 A4321 A4322 A4323 A4324 A4325 A4326 A4327 A4328 A4329 A4330 A4331 A4332 A4333 A4334 A4335 A4336 A4337 A4338 A4339 A4340 A4341 A4342 A4343 A4344 A4345 A4346 A4347 A4348 A4349 A4350 A4351 A4352 A4353 A4354 A4355 A4356 A4357 A4358 A4359 A4360 A4361 A4362 A4363 A4364 A4365 A4366 A4367 A4368 A4369 A4370 A4371 A4372 A4373 A4374 A4375 A4376 A4377 A4378 A4379 A4380 A4381 A4382 A4383 A4384 A4385 A4386 A4387 A4388 A4389 A4390 A4391 A4392 A4393 A4394 A4395 A4396 A4397 A4398 A4399 A4400 A4401 A4402 A4403 A4404 A4405 A4406 A4407 A4408 A4409 A4410 A4411 A4412 A4413 A4414 A4415 A4416 A4417 A4418 A4419 A4420 A4421 A4422 A4423 A4424 A4425 A4426 A4427 A4428 A4429 A4430 A4431 A4432 A4433 A4434 A4435 A4436 A4437 A4438 A4439 A4440 A4441 A4442 A4443 A4444 A4445 A4446 A4447 A4448 A4449 A4450 A4451 A4452 A4453 A4454 A4455 A4456 A4457 A4458 A4459 A4460 A4461 A4462 A4463 A4464 A4465 A4466 A4467 A4468 A4469 A4470 A4471 A4472 A4473 A4474 A4475 A4476 A4477 A4478 A4479 A4480 A4481 A4482 A4483 A4484 A4485 A4486 A4487 A4488 A4489 A4490 A4491 A4492 A4493 A4494 A4495 A4496 A4497 A4498 A4499 A4500 A4501 A4502 A4503 A4504 A4505 A4506 A4507 A4508 A4509 A4510 A4511 A4512 A4513 A4514 A4515 A4516 A4517 A4518 A4519 A4520 A4521 A4522 A4523 A4524 A4525 A4526 A4527 A4528 A4529 A4530 A4531 A4532 A4533 A4534 A4535 A4536 A4537 A4538 A4539 A4540 A4541 A4542 A4543 A4544 A4545 A4546 A4547 A4548 A4549 A4550 A4551 A4552 A4553 A4554 A4555 A4556 A4557 A4558 A4559 A4560 A4561 A4562 A4563 A4564 A4565 A4566 A4567 A4568 A4569 A4570 A4571 A4572 A4573 A4574 A4575 A4576 A4577 A4578 A4579 A4580 A4581 A4582 A4583 A4584 A4585 A4586 A4587 A4588 A4589 A4590 A4591 A4592 A4593 A4594 A4595 A4596 A4597 A4598 A4599 A4600 A4601 A4602 A4603 A4604 A4605 A4606 A4607 A4608 A4609 A4610 A4611 A4612 A4613 A4614 A4615 A4616 A4617 A4618 A4619 A4620 A4621 A4622 A4623 A4624 A4625 A4626 A4627 A4628 A4629 A4630 A4631 A4632 A4633 A4634 A4635 A4636 A4637 A4638 A4639 A4640 A4641 A4642 A4643 A4644 A4645 A4646 A4647 A4648 A4649 A4650 A4651 A4652 A4653 A4654 A4655 A4656 A4657 A4658 A4659 A4660 A4661 A4662 A4663 A4664 A4665 A4666 A4667 A4668 A4669 A4670 A4671 A4672 A4673 A4674 A4675 A4676 A4677 A4678 A4679 A4680 A4681 A4682 A4683 A4684 A4685 A4686 A4687 A4688 A4689 A4690 A4691 A4692 A4693 A4694 A4695 A4696 A4697 A4698 A4699 A4700 A4701 A4702 A4703 A4704 A4705 A4706 A4707 A4708 A4709 A4710 A4711 A4712 A4713 A4714 A4715 A4716 A4717 A4718 A4719 A4720 A4721 A4722 A4723 A4724 A4725 A4726 A4727 A4728 A4729 A4730 A4731 A4732 A4733 A4734 A4735 A4736 A4737 A4738 A4739 A4740 A4741 A4742 A4743 A4744 A4745 A4746 A4747 A4748 A4749 A4750 A4751 A4752 A4753 A4754 A4755 A4756 A4757 A4758 A4759 A4760 A4761 A4762 A4763 A4764 A4765 A4766 A4767 A4768 A4769 A4770 A4771 A4772 A4773 A4774 A4775 A4776 A4777 A4778 A4779 A4780 A4781 A4782 A4783 A4784 A4785 A4786 A4787 A4788 A4789 A4790 A4791 A4792 A4793 A4794 A4795 A4796 A4797 A4798 A4799 A4800 A4801 A4802 A4803 A4804 A4805 A4806 A4807 A48



检测报告

编号: NGBEC2200904704

日期: 2022年05月17日

第4页,共7页

B2508 B2509 B2541 B2542 B2543 B2544 B2545 B2546 B2547 B2548 B2549 B76201 B76202  
 B76203 B76204 B76205 B76206 B76207 B76208 B76209 B13001 B13002 B13003 B13004  
 B13005 B13006 B13007 B13008 B13009 C01581 C01582 C01583 C01584 C01585 C01586 C01587  
 C01588 C01589 C1251 C1252 C1253 C1254 C1255 C1256 C1257 C1258 C1259 C1501 C1502  
 C1503 C1504 C1505 C1506 C1507 C1508 C1509 C2001 C2002 C2003 C2004 C2005  
 C2006 C2007 C2008 C2009 C2501 C2502 C2503 C2504 C2505 C2506 C2507 C2508  
 C2509 C25010 C25011 C25012 C25013 C25014 C25015 C25016 C25017 C25018 C2541 C2542  
 C2543 C2544 C2545 C2546 C2547 C2548 C2549 C3001 C3002 C3003 C3004 C3005  
 C3006 C3007 C3008 C3009 C3501 C3502 C3503 C3504 C3505 C3506 C3507 C3508  
 C3509 C3681 C3682 C3683 C3684 C3685 C3686 C3687 C3688 C3689 C3961 C3962  
 C3963 C3964 C3965 C3966 C3967 C3968 C3969  
 C4001 C4002 C4003 C4004 C4005 C4006 C4007 C4008 C4009 C4141 C4142 C4143 C4144  
 C4145 C4146 C4147 C4148 C4149 C4201 C4202 C4203 C4204 C4205 C4206 C4207 C4208  
 C4209 C4501 C4502 C4503 C4504 C4505 C4506 C4507 C4508 C4509 C5001 C5002 C5003  
 C5004 C5005 C5006 C5007 C5008 C5009 C6201 C6202 C6203 C6204 C6205 C6206 C6207  
 C6208 C6209 C6351 C6352 C6353 C6354 C6355 C6356 C6357 C6358 C6359 D2801 D2802  
 D2803 D2804 D2805 D2806 D2807 D2808 D2809 D4801 D4802 D4803 D4804 D4805 D4806  
 D4807 D4808 D4809 D5201 D5202 D5203 D5204 D5205 D5206 D5207 D5208 D5209 D6301  
 D6302 D6303 D6304 D6305 D6306 D6307 D6308 D6309 D6201 D6202 D6203 D6204 D6205  
 D6206 D6207 D6208 D6209 D7001 D7002 D7003 D7004 D7005 D7006 D7007 D7008 D7009  
 F0501 F0502 F0503 F0504 F0505 F0506 F0507 F0508 F0509 F05010 F05011 F05012  
 F05013 F05014 F05015 F05016 F05017 F05018 F1001 F1002 F1003 F1004 F1005 F1006 F1007  
 F1008 F1009 F10010 F10011 F10012 F10013 F10014 F10015 F10016 F10017 F10018 F2541 F2542  
 F2543 F2544 F2545 F2546 F2547 F2548 F2549 P0001 P0002 P0003 P0004 P0005 P0006  
 P0007 P0008 P0009 P0010 P0011 P0012 P0013 P0014 P0015 P0016 P0017 P0018 P0019  
 P0020 P0021 P0022 P0023 P0024 P0025 P0026 P0027 D2301 D2302 D2303 D2304 D2305  
 D2306 D2307 D2308 D2309 D6001 D6002 D6003 D6004 D6005 D6006 D6007 D6008 D6009  
 D2201 D2202 D2203 D2204 D2205 D2206 D2207 D2208 D2209



Unless otherwise agreed in writing, this document is issued by the Company subject to its General Conditions of Service printed overleaf, available on request or accessible at <http://www.sgs.com/en/Terms-and-Conditions.aspx> and, for electronic formal documents, subject to Terms and Conditions for Electronic Documents at <http://www.sgs.com/en/Terms-and-Conditions/Terms-e-Documents.aspx>. Attention is drawn to the limitation of liability, indemnification and jurisdiction issues defined therein. Any holder of this document is advised that information contained hereon reflects the Company's findings at the time of its intervention only and within the limits of Client's instructions, if any. The Company's sole responsibility is to its Client and this document does not exonerate parties to a transaction from exercising all their rights and obligations under the transaction documents. This document cannot be reproduced except in full, without prior written approval of the Company. Any unauthorized alteration, forgery or falsification of the content or appearance of this document is unlawful and offenders may be prosecuted to the fullest extent of the law. Unless otherwise stated the results shown in this test report refer only to the sample(s) tested.  
 Attention: To check the authenticity of testing/inspection report & certificate, please contact us at telephone: (86-755) 8307 1443, or email: [CN.Doccheck@sgs.com](mailto:CN.Doccheck@sgs.com)  
 No.1177, Lingyun Road, Hi-Tech Zone, Ningbo, Zhejiang, China 315040 tE&E (86-574)89070249 www.sgs.com.cn  
 中国·浙江·宁波高新区凌云路1177号 邮编: 315040 tHL (86-574)89070271 tML (86-574)89070242 sgs.china@sgs.com

Member of the SGS Group (SGS SA)



检测报告

编号: NGBEC2200904704

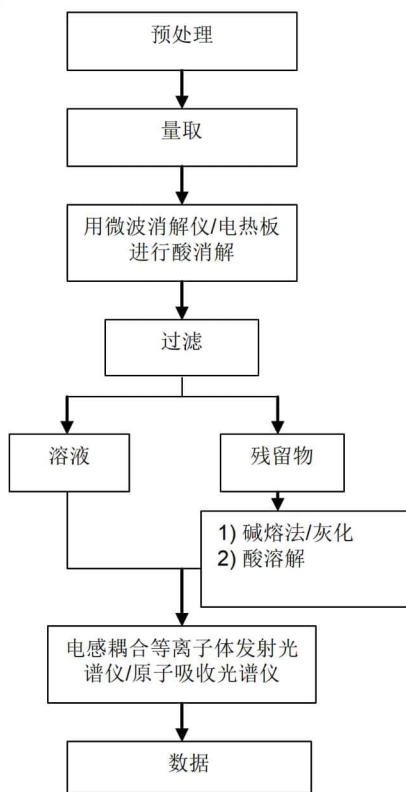
日期: 2022年05月17日

第5页,共7页

附件

元素(IEC62321) 测试流程图

1)样品按照下述流程被完全消解



Unless otherwise agreed in writing, this document is issued by the Company subject to its General Conditions of Service printed overleaf, available on request or accessible at <http://www.sgs.com/en/Terms-and-Conditions.aspx> and, for electronic format documents, subject to Terms and Conditions for Electronic Documents at <http://www.sgs.com/en/Terms-and-Conditions/Terms-a-Documents.aspx>. Attention is drawn to the limitation of liability, indemnification and jurisdiction issues defined therein. Any holder of this document is advised that information contained hereon reflects the Company's findings at the time of its intervention only and within the limits of Client's instructions, if any. The Company's sole responsibility is to its Client and this document does not exonerate parties to a transaction from exercising all their rights and obligations under the transaction documents. This document cannot be reproduced except in full, without prior written approval of the Company. Any unauthorized alteration, forgery or falsification of the content or appearance of this document is unlawful and offenders may be prosecuted to the fullest extent of the law. Unless otherwise stated the results shown in this test report refer only to the sample(s) tested.

Attention: To check the authenticity of testing/inspection report & certificate, please contact us at telephone: (86-755) 8307 1443, or email: [CN.Doccheck@sgs.com](mailto:CN.Doccheck@sgs.com)

No.1177, Lingyun Road, Hi-Tech Zone, Ningbo, Zhejiang, China 315040 tE&E (86-574)89070249 www.sgsgroup.com.cn  
中国·浙江·宁波高新区凌云路1177号 邮编: 315040 tHL (86-574)89070271 tML (86-574)89070242 sgs.china@sgs.com

Member of the SGS Group (SGS SA)



检测报告

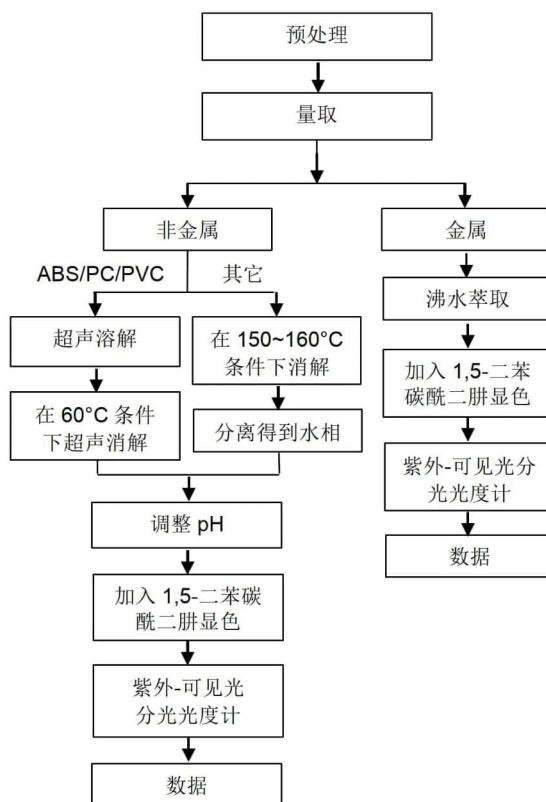
编号: NGBEC2200904704

日期: 2022年05月17日

第6页,共7页

附件

六价铬测试流程图



Unless otherwise agreed in writing, this document is issued by the Company subject to its General Conditions of Service printed overleaf, available on request or accessible at <http://www.sgs.com/en/Terms-and-Conditions.aspx> and, for electronic format documents, subject to Terms and Conditions for Electronic Documents at <http://www.sgs.com/en/Terms-and-Conditions/Terms-a-Document.aspx>. Attention is drawn to the limitation of liability, indemnification and jurisdiction issues defined therein. Any holder of this document is advised that information contained hereon reflects the Company's findings at the time of its intervention only and within the limits of Client's instructions, if any. The Company's sole responsibility is to its Client and this document does not exonerate parties to a transaction from exercising all their rights and obligations under the transaction documents. This document cannot be reproduced except in full, without prior written approval of the Company. Any unauthorized alteration, forgery or falsification of the content or appearance of this document is unlawful and offenders may be prosecuted to the fullest extent of the law. Unless otherwise stated the results shown in this test report refer only to the sample(s) tested.

Attention: To check the authenticity of testing/inspection report & certificate, please contact us at telephone: (86-755) 8307 1443, or email: [CN.Doccheck@sgs.com](mailto:CN.Doccheck@sgs.com)

No.1177, Lingyun Road, Hi-Tech Zone, Ningbo, Zhejiang, China 315040 tE&E (86-574)89070249 www.sgsgroup.com.cn  
 中国·浙江·宁波高新区凌云路1177号 邮编: 315040 tHL (86-574)89070271 tML (86-574)89070242 sgs.china@sgs.com

Member of the SGS Group (SGS SA)



检测报告

编号: NGBEC2200904704

日期: 2022年05月17日

第7页,共7页

样品照片:



此照片仅限于随SGS正本报告使用

\*\*\* 报告完 \*\*\*



Unless otherwise agreed in writing, this document is issued by the Company subject to its General Conditions of Service printed overleaf, available on request or accessible at <http://www.sgs.com/en/Terms-and-Conditions.aspx> and, for electronic format documents, subject to Terms and Conditions for Electronic Documents at <http://www.sgs.com/en/Terms-and-Conditions/Terms-e-Document.aspx>. Attention is drawn to the limitation of liability, indemnification and jurisdiction issues defined therein. Any holder of this document is advised that information contained hereon reflects the Company's findings at the time of its intervention only and within the limits of Client's instructions, if any. The Company's sole responsibility is to its Client and this document does not exonerate parties to a transaction from exercising all their rights and obligations under the transaction documents. This document cannot be reproduced except in full, without prior written approval of the Company. Any unauthorized alteration, forgery or falsification of the content or appearance of this document is unlawful and offenders may be prosecuted to the fullest extent of the law. Unless otherwise stated the results shown in this test report refer only to the sample(s) tested.

Attention: To check the authenticity of testing /inspection report & certificate, please contact us at telephone: (86-755) 8307 1443, or email: [CN.Doccheck@sgs.com](mailto:CN.Doccheck@sgs.com)

No.1177, Lingyun Road, Hi-Tech Zone, Ningbo, Zhejiang, China 315040 tE&E (86-574)89070249 www.sgsgroup.com.cn  
 中国·浙江·宁波高新区凌云路1177号 邮编: 315040 tHL (86-574)89070271 tML (86-574)89070242 sgs.china@sgs.com

Member of the SGS Group (SGS SA)

编号: LHE-S006		
<b>成品 MSDS</b>		
1. 物品成分与厂商资料		
厂商名称: 浙江联和电子有限公司	物品编号: LHE-WF1001	
	物品名称: 黄铜镀锡针	
地址: 浙江省温州乐清市乐清湾港区创新路8号	纯物质:	
联络电话: 0577-62383699	危害物质成分 (%) 无	
2. 成份辨识资料		
成份名称	化学文摘社登记号码(CAS No.)	浓度范围 (成分百分比 Percentage (%))
铜 (Cu)	7440-50-8	64.9%
磷 (P)	7723-14-0	0.001%
锌 (Zn)	7440-66-6	余量
镍 (Ni)	7440-02-0	0.01%
锑 (Sb)	7440-36-0	0.001%
铅 (Pb)	7439-92-1	<0.009%
铁 (Fe)	7439-89-6	<0.1%
纯镍 (Ni)	7440-02-0	0.05%
纯锡 (Sn)	7440-31-5	0.1%
2. 危害辨认资料		
严重危害效应	健康危害效应: 本产品于固体时不具健康危害及危害	
	环境影响: 本产品于固体时对环境不具影响	
	物理性及化学性危害: 固体/无味/多色	
	特殊危害: 固体时 (防火或高温) 无特殊危害	
主要症状: 无		
3. 急救措施		
急救方法	吸入: 无吸入	
	皮肤接触: 接触无危害	
	食入: 无食入	
主要症状及危害效应: 无		
4. 灭火措施		
通用灭火器: 二氧化碳, 泡沫, 干粉化学灭火器, 水雾等		
灭火时可能遭遇之特殊危害: 会引起火灾		
消防人员之特殊防护装备: 使用从氧式吸防护具		
5. 泄漏处理方法		
个人应注意事项: 注意工作台面清洁, 作业时及时清洗手		
环境注意事项: 将泄漏之物料以容器盛装以便回收或废弃		
清理方式: 工作台面每天作业前/后须擦拭干净, 建议可以戴手套或手指套作业		
6. 安全处置与储存方法		
处置: 废弃物可送到政府许可的废弃物处理中心进行处理		

储存：空调仓，23±5℃，湿度 65%以下，仓库里面安装灭火器	
7. 暴露预防措施	
个人防护设备	呼吸防护：口罩，一般无此要求，可以建议采用
	手部防护设备：手套火手指套，一般无此要求，可以建议采用
	眼睛防护：安全目镜或眼镜
	皮肤及身体防护：穿工作服，经常勤洗
卫生措施：建议使用安全目镜，进食前应洗手及脸部，平时多运动，保持健康体力	
8. 物料及化学性质	
物质状态：固体	形状：连接器
颜色：多色	气味：无味
PH 值：未测定	沸点：未测定
分解温度：未测定	爆炸介限：无
自然温度：固体无	溶解度：固体无
9. 安全性及反应性	
安全性：正常状态下安全	
特殊状况下可能之危害反应：无	
应避免之状况：避免接触火源和太阳光直射	
应避免之物质：火和酸碱性物质	
危害分解物：无	
10. 毒性资料	
急毒性	吸入：无
	皮肤接触：无
	眼睛：无
局部效应：无	特殊效应：无
11. 废弃物处理方法：废弃物可送到政府许可的废弃物处理中心进行处理	
12. 运送资料	
联合国编号：无	运输规定：并无危险分类
运送方法及注意事项：勿重压，轻拿轻放	
13. 适用法规：1.劳工安全卫生设施规划；2.危害物及有害物通讯规划；3.索尼环境通用规定；4 劳工工业环境空气中有害物容许溶度标准；5 道路交通安全规划	
14. 其他资料：	
15.法规资料	
适用法规	1.劳工安全卫生设施规则 2.RoHS 法规及有害物通识规则
16.其它资料	
参考文献	有害化学物质中文资料库，环保局
制表单位	浙江联和电子有限公司
制造商及供应商地址	浙江省温州乐清市乐清湾港区创新路8号
电话	0577-62383699
制表者	陈浙海
制表日期	2022-3-23

