

浙江联和电子有限公司

ZHEJIANG LIANHE ELECTRONICS CO., LTD.

承认书 SPECIFICATION FOR APPROVAL

客户名称 CUSTOMER	
品名 DESCRIPTION	4P汽车连接器
料号 CUSERTOMER PART NO	144998-3
日期 DATE	

客户确认 (APPROVED SIGNATURES)

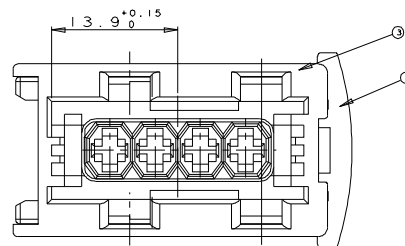
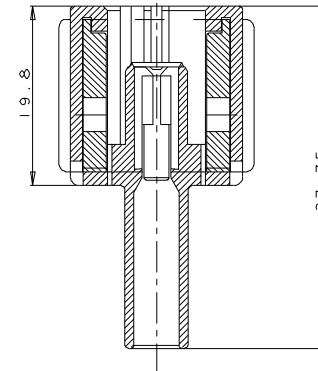
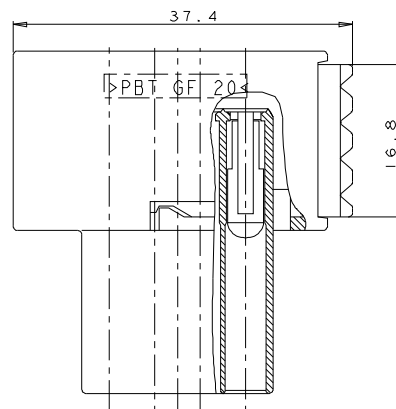
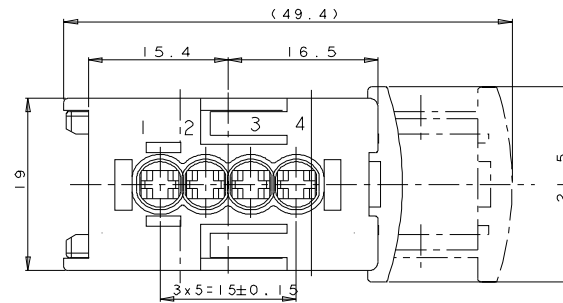
核准 (APPROVAL)	工程 (ENGINEERING)	品管 (QC)
承认结果： <input type="checkbox"/> 承认 <input type="checkbox"/> 不承认 <input type="checkbox"/> 重新送样		



浙江联和电子有限公司
ZHEJIANG LIANHE ELECTRONICS CO., LTD.
地址: 浙江省乐清市乐清湾港区创新路
Address: Chuangxin Road, YueQing Bay Port
Zone, Yueqing City, Zhejiang China 325600.
Tel: 0577-62383668 (销售) 0577-62383212 (Sales)
Fax: 0577-62382566
Web: lhecن.1688.com (中文) www.lhecن.net.cn (English)

4P汽车连接器承认图面

REV	SYM	REVISION RECORD	DR.	APPR.	DATE
A/0		原始版本			DE
A/1					



2	SLIDER	PBT/ORANGE	1	
1	HOUSING	PBT/BLACK	1	
序号	名称/料号	材料	数量	附注
未注公差		LHE 浙江联和电子有限公司		
X.° ±3° X.X° ±0.5°		ZHEJIANG LIANHE ELECTRONICS CO., LTD		
<10	≥10	≥50	≥100	单位 比例 Design Units SIZE 页码
±0.15	±0.2	±0.3	±0.5	MM Only — METRIC A4
制作	审核	批准	材料	图号 Part No.
			见图解	品名 144998-3

旧底图总号
底图总号
签字
日期

产品规格书

PRODUCT SPECIFICATION

版本号

Version Number: A

产品编码

Part Number: 144998

■ 规格 Specifications

- ◆1、极数 Poles: 4P
- ◆2、额定电流 Current rating: 10A Max
- ◆3、额定电压 Voltage rating: 16V Max
- ◆4、温度范围 Temperature range: -25°C to +100°C
- ◆5、接触电阻 Contact resistance: $\leq 5\text{m}\Omega$
- ◆6、绝缘电阻 Insulation resistance: $\geq 100\text{M}\Omega$
- ◆7、耐电压 Withstand voltage: 1000V AC/minute
- ◆8、适用线规 Applicable wire: 0.3~2.0mm²

产品性能测试 Performance test

	项目 Item	测试条件 Test Condition	规格要求 Requirement
1	外观 Appearance	目测 Visual by eye 视力 Light: >1.0 照明 Lamp: 200~300Lx 目测距离 Space: 0.3~0.5m	1. 塑料件表面应无明显疤痕、凹陷、开裂及影响使用的变形。 Plastic part: smooth and flat surface without discolor, broken, crack distortion defects is acceptable. 2. 金属件表面无锈蚀、氧化、无明显的机械损伤等缺陷。 Metal part: tight and even surface without rust, oxide, fog and obvious physical damage defects is acceptable. 3. 导线表面清洁、无破损等缺陷, 印字及标志清晰。 Wire: clearing surface without discolor, broken defects, indistinct words and mark is acceptable.
2	接触电阻 Contact Resistance	插合连接器, 用小功率电路进行测试。 Mate connectors, measure by dry circuit.	5mΩ MAX
3	绝缘电阻 Insulation Resistance	在相邻接触件之间或地线之间, 用500V DC电压进行测试。 Apply 500V DC between adjacent terminal or ground.	100MΩ MIN
4	耐电压 Dielectric Strength	相邻接触件之间或地线之间施加50Hz 1000V AC(有效值), 漏电流1mA的电压作用, 时间1min。 Mate connectors, apply 1000V AC for 1 minute between adjacent terminal or ground.	无击穿和飞弧现象 No Breakdown

产品规格书

PRODUCT SPECIFICATION

版本号

Version Number: A

产品编码

Part Number: 144998

产品性能测试 Performance test				
	项目 Item	测试条件 Test Condition	规格要求 Requirement	
5	压着部位抗张强度 Crimping Pull Out Force	在试验装置夹头中固定测试样品，在连接的轴线方向施加张力；速度不大于25mm/min。 Fix the crimped terminal, apply axial pull out force on the wire at the speed rate of not more 25mm/min.	2.00mm ² 1.40mm ² 1.00mm ² 0.60mm ² 0.35mm ²	150N MIN 120N MIN 80N MIN 60N MIN 35N MIN
6	壳体/端子固定力 Terminal/Housing Retention Force	固定连接器或测力计，在连接器轴线方向施加规定的拉力；速度不大于25mm/min。 Apply axial pull out force at the speed rate of not more 25mm/min on the pin assembled in the housing.	50N MIN	
7	针的固定力 Pin Retention Force	固定连接器或测力计，在连接器轴线方向对针施加规定的推力；速度不大于25mm/min。 Apply axial push out force at the speed rate of not more 25mm/minute on the terminal assembled in the base.	---	
8	可焊性 Solderability	把测试样品需要焊接的部位浸入焊锡炉中（锡炉温度245℃±5℃）2±0.5秒钟。 Soldering time: 2±0.5 second Solder Temperature: 245℃±5℃	--	
9	耐焊接热 Resistance to Soldering Heat	把测试样品需要焊接的部位浸入焊锡炉中（锡炉温度260℃）；2±0.5秒钟后在正常的条件下恢复1小时。 Soldering time: 2±0.5 second Solder Temperature: 260℃	--	
10	耐高温 Heat Resistance	连接器配合后，于85℃±2℃的空气中放置96小时，然后再回到室温中放置1~2h小时测定 Mated connectors are exposed to a temperature of 85℃±2℃ for 96 hours.	外观 Appearance 接触电阻 LLCR	无损伤 No Damage 20mΩ Max
11	耐低温 Cold Resistance	连接器配合后，于-25℃±2℃的空气中放置96小时，然后再回到室温中放置1~2h小时测定 Mated connectors are exposed to a temperature of -25℃±2℃ for 96 hours.	外观 Appearance 接触电阻 LLCR	无损伤 No Damage 20mΩ Max
12	温度上升 Temperature Rise	插入连接器，通以最大允许电流。 Carrying rated current load.	温度最大上升 Temperature Rise	50℃ MAX

产品规格书

PRODUCT SPECIFICATION

版本号

Version Number: A

产品编码

Part Number: 144998

产品性能测试 Performance test				
	项目 Item	测试条件 Test Condition	规格要求 Requirement	
13	恒定湿热 Humidity	温度: 40±2℃ 相对湿度: 90%~95% 搁置时间: 96小时, 取出恢复2h后检查 Temperature: 40±2℃ Relative Humidity: 90%~95% Duration: 96 hours	外观 Appearance	无损伤 No Damage
			耐电压 Dielectric Strength	1000V, AC /minute
			绝缘电阻 Insulation Resistance	100MΩ MIN
			接触电阻 LLCR	20mΩ MAX
14	温度循环 Temperature cycle	把测试样品放入高低温试验箱中, 按下列步骤调试温度: a) 在-25℃±2℃的恒温条件下放置0.5小时; b) 在85℃±2℃的恒温条件下放置0.5小时; 从a)到b)为一个循环周期, 共进行5个循环。 恢复1h后检查。状态转换时间不多于1小时。 Mated connectors are exposed to 5 cycles of: a) -25℃±2℃ 0.5hour b) +85℃±2℃ 0.5hour	外观 Appearance	无损伤 No Damage
			耐电压 Dielectric Strength	1000V, AC /minute
			绝缘电阻 Insulation Resistance	100MΩ MIN
			接触电阻 LLCR	20mΩ MAX
15	机械振动 Vibration	插合连接器, 串联在一直流电源上, 电流100mA; 并模拟正常工作状态, 振频为10~55Hz、振幅1.5mm; 55~500Hz、加速度50m/s ² , 每一轴线扫频循环次数10次、2小时。 Frequency: 10~55Hz Amplitude: ±1.5mm Frequency: >55~500Hz Acceleration: 50m/s ² Duration: 2 hours in each X,Y,Z axes	外观 Appearance	无损伤 No Damage
			接触电阻 Contact Resistance	20mΩ MAX
			中断 Intermittence	1 μ sec MAX
16	机械寿命 Repeated insertion/ withdrawal	以每分钟插拔10次的速率, 插拔50次。 When mated up to 50 cycles repeatedly by the rate of 10 cycles per minute.	外观 Appearance	无损伤 No Damage
			耐电压 Dielectric Strength	1000V, AC /minute
			绝缘电阻 Insulation	100MΩ MIN
			接触电阻 Contact Resistance	20mΩ MAX

产品规格书

PRODUCT SPECIFICATION

版本号

Version Number: A

产品编码

Part Number: 144998

产品性能测试 Performance test			
	项目 Item	测试条件 Test Condition	规格要求 Requirement
17	盐雾 Salt Spray	把先冲后镀的测试样品从试验箱顶悬挂下来，采用浓度为5%±1(质量百分比)的氯化钠溶液，连续雾化16小时，试验后用流动的蒸馏水轻轻洗去表面沉积物。在常温常驻湿条件下恢复1~2小时。 16 hour exposure to a saltspray from the 5%±1 solution.	外观无损伤(五金件应无露出底金属的严重锈蚀；使用预镀的型材，其落料面允许有不影响其性能的轻微腐蚀。)。 Appearance: No Damage (No erosion with material exposed. And with plating material, slight erosion on the cutting surface acceptable)
18	插入力与拔出力 Insertion and Withdrawal Force	相配的接触件以1mm/s~5mm/s的速度沿接插器轴线方向插入和拔出。 Insertion and withdraw contacts at the speed rate of 1mm/s~5mm/s.	插入力(最大值) Insertion (Max)
			拔出力(最小值) Withdrawal (Min)
			SINGLE PIN
			50N
			5N

制订 _____ 日期 _____
Edit: _____ Date: _____

审核 _____ 日期 _____
Check: _____ Date: _____

批准 _____ 日期 _____
Approval: _____ Date: _____



中国认可
国际互认
检测
TESTING
CNAS L4136

检测报告(Test Report)

检测报告编号(Report No.): SZC18122484092-8

日期(Date): 2019/1/4

页数(Page): 1 of 8

委托单位: 浙江联和电子有限公司

Applicant: zhejiang lianhe electronics co.,ltd

单位地址: 浙江省乐清市乐清湾港区创新路 8 号

Address: No.8, chuanguxin road,yueqing wangang district, yueqing city zhejiang province

样品信息(Sample information)

样品名称(Sample Name): PBT 连接器黑色+磷铜镀锡端子
(PBT connector black + Phosphorus copper tinned terminal)

样品描述(Sample Description): 1.黑色塑胶(Black plastic)
2.银色金属引脚(Silver metal pin)

客户参考信息(Client's Ref. Info.): 请参见后续页(Please refer to following page(s)).

样品编号(Sample No.): QT1812248409203

委托日期(Sample Received Date): 2018/12/29

检测日期(Testing Period): 2018/12/29 - 2019/1/4

检测要求(Test Requested): 根据客户要求, 检测其送检样品中的铅、镉、汞、六价铬、多溴联苯、多溴二苯醚、DBP、BBP、DEHP、DIBP 的含量(As specified by client, to determine the Pb, Cd, Hg, Cr(VI), PBBs, PBDEs, DBP, BBP, DEHP, DIBP content in the submitted sample.)

检测方法(Test Method): 请参见后续页(Please refer to following page(s)).

检测结果(Test Result): 请参见后续页(Please refer to following page(s)).

结论(Conclusion): 基于所送样品进行的检测, 铅、镉、汞、六价铬、多溴联苯、多溴二苯醚、DBP、BBP、DEHP、DIBP 的检测结果显示符合欧盟 RoHS 指令 2011/65/EU 及其修订指令 EU 2015/863 的限值要求 (Based on the performed tests on submitted samples, the results of Pb, Cd, Hg, Cr(VI), PBBs, PBDEs, DBP, BBP, DEHP, DIBP comply with the limits as set by EU RoHS Directive 2011/65/EU and its amendment Directive EU 2015/863.)

授权签字人

Signed for and on behalf of HCT

Michael Huang

Michael Huang





中国认可
国际互认
检测
TESTING
CNAS L4136

检测报告(Test Report)

检测报告编号(Report No.): SZC18122484092-8

日期(Date): 2019/1/4

页数(Page): 2 of 8

客户参考信息(Client' s Ref. Info.):

1.0 SH SHD NH 1.25 51021 DF14 DF13 GH ZH PH PHB PA PHSD DF11 C1251 51047
51146 FI-S PHD YHD200 SMW SMH200 SMH200-H 20039WR 杜邦 2.0 XH/TJC3 XA HA
XHB XHD XHE EH EI/小四 P 5264 5267 SZN SAN SCN SCND JC15 JC20 5102 5240
SMH250 SMP250 SMW250 25048HS 25045HP SM TJC8/杜邦 2.54 TJC8A/杜邦带锁 TJC8B TJC8H
5051/2510 543 美尚美 CH10 25415 43645 43020 43025 5500 5600 VH VHRR/YH396 VHR
35156 2139/3.96 90331 5195 5196 39612 FL 5557 5559 5566 5569 42474 42475 SL RV42
CL014/OTP EL YL 小型 EL QH NV 50300 50301 8981/大四 P 5058/5.08 5197 5198 5025 L6.2
VL VLP/VLR 3191 5199 TJC2 TJC2A TJC2B STV5 YHL500 YWL500 TJC4 TJC1 SMF
Cy-X201/35108 35150 35151 35224 35180 35965 1806 110 2.8 42021 42022 42002 6.3 250
35955 SA SCS 35189 35196 DF11 MX3.0 1.58 51005 51006 BH3.5 BH4.0 63080 187 4.8
51004 TJC15 DF13 D220 D230 D250 D480 D520 D280 D630 D430 D400 D450 U-T MKH
F1001-T SIN-T 774 773 778 294 TU-JTK(SV) TU(SNB) TO-JTK(RV) MDD FDD TG-JT IDC
AUTO CONNECTOR DJ7021 DT04 DT06 UY/K1 UY2/K2 UR/K3 UR2 UB/K4 UB2A UG/K5
U1R/K8 U1B K9 HJKT10 UDW2 314 A4203 A5001 A5002 MC100 FPC2.54 SMH/SMW SGN
PHR ZHR 205 5.2

1.0 SH SHD NH 1.25 51021 DF14 DF13 GH ZH PH PHB PA PHSD DF11 C1251 51047
51146 FI-S PHD YHD200 SMW SMH200 SMH200-H 20039WR DUBANG2.0 XH/TJC3 XA HA
XHB XHD XHE EH EI/X4P 5264 5267 SZN SAN SCN SCND JC15 JC20 5102 5240
SMH250 SMP250 SMW250 25048HS 25045HP SM TJC8/DUBANG2.54 TJC8A/DUBANG-S TJC8B
TJC8H 5051/2510 543 MEISHANGMEI CH10 25415 43645 43020 43025 5500 5600 VH
VHRR/YH396 VHR 35156 2139/3.96 90331 5195 5196 39612 FL 5557 5559 5566 5569 42474
42475 SL RV42 CL014/OTP EL YL SMALL-EL QH NV 50300 50301 8981/D4P 5058/5.08
5197 5198 5025 L6.2 VL VLP/VLR 3191 5199 TJC2 TJC2A TJC2B STV5 YHL500 YWL500
TJC4 TJC1 SMF Cy-X201/35108 35150 35151 35224 35180 35965 1806 110 2.8 42021 42022
42002 6.3 250 35955 SA SCS 35189 35196 DF11 MX3.0 1.58 51005 51006 BH3.5 BH4.0
63080 187 4.8 51004 TJC15 DF13 D220 D230 D250 D480 D520 D280 D630 D430 D400
D450 U-T MKH F1001-T SIN-T 774 773 778 294 TU-JTK(SV) TU(SNB) TO-JTK(RV) MDD
FDD TG-JT IDC AUTO CONNECTOR DJ7021 DT04 DT06 UY/K1 UY2/K2 UR/K3 UR2 UB/K4
UB2A UG/K5 U1R/K8 U1B K9 HJKT10 UDW2 314 A4203 A5001 A5002 MC100 FPC2.54
SMH/SMW SGN PHR ZHR 205 5.2





中国认可
国际互认
检测
TESTING
CNAS L4136

检测报告(Test Report)

检测报告编号(Report No.): SZC18122484092-8

日期(Date): 2019/1/4

页数(Page): 3 of 8

检测结果(Test Result(s)):

单位(Unit): mg/kg

检测项目 (Test Items)	检测方法/仪器 (Test Method/ Equipment)	方法检出限 (MDL)	含量 (Content)	EU RoHS Directive 2011/65/EU and its amendment Directive EU 2015/863	
			1		
铅 Lead(Pb)	IEC 62321-5:2013. ICP-OES/AAS	2	N.D.	1000	
镉 Cadmium(Cd)		2	N.D.	100	
汞 Mercury(Hg)	IEC 62321-4:2013 +AMD1:2017. ICP-OES	2	N.D.	1000	
六价铬 Hexavalent Chromium(Cr(VI))	IEC 62321-5:2013/ IEC 62321-7-2:2017. ICP-OES/AAS UV-VIS	8	N.D.	1000	
一溴联苯 Mono-bromobiphenyl	IEC 62321-6:2015. GC-MS	5	N.D.	—	
二溴联苯 Di-bromobiphenyl		5	N.D.		
三溴联苯 Tri-bromobiphenyl		5	N.D.		
四溴联苯 Tetra-bromobiphenyl		5	N.D.		
五溴联苯 Penta-bromobiphenyl		5	N.D.		
六溴联苯 Hexa-bromobiphenyl		5	N.D.		
七溴联苯 Hepta-bromobiphenyl		5	N.D.		
八溴联苯 Octa-bromobiphenyl		5	N.D.		
九溴联苯 Nona-bromobiphenyl		5	N.D.		
十溴联苯 Deca-bromobiphenyl		5	N.D.		
多溴联苯 Polybrominated Biphenyls(PBBs)		—	N.D.		1000
一溴二苯醚 Mono-bromodiphenyl ether		5	N.D.		—
二溴二苯醚 Di-bromodiphenyl ether		5	N.D.		
三溴二苯醚 Tri-bromodiphenyl ether		5	N.D.		
四溴二苯醚 Tetra-bromodiphenyl ether	5	N.D.			
五溴二苯醚 Penta-bromodiphenyl ether	5	N.D.			
六溴二苯醚 Hexa-bromodiphenyl ether	5	N.D.			
七溴二苯醚 Hepta-bromodiphenyl ether	5	N.D.			
八溴二苯醚 Octa-bromodiphenyl ether	5	N.D.			
九溴二苯醚 Nona-bromodiphenyl ether	5	N.D.			
十溴二苯醚 Deca-bromodiphenyl ether	5	N.D.			
多溴二苯醚 Polybrominated Diphenyl Ethers(PBDEs)	—	N.D.	1000		



检测报告(Test Report)

检测报告编号(Report No.): SZC18122484092-8

日期(Date): 2019/1/4

页数(Page): 4 of 8

检测项目 (Test Items)	检测方法/仪器 (Test Method/ Equipment)	方法检出限 (MDL)	含量 (Content)	EU RoHS Directive 2011/65/EU and its amendment Directive EU 2015/863
			1	
邻苯二甲酸二正丁酯 Dibutyl phthalate (DBP)	IEC 62321-8:2017, GC-MS	30	N.D.	1000
邻苯二甲酸丁苄酯 Butylbenzyl phthalate (BBP)		30	N.D.	1000
邻苯二甲酸二(2-乙基己基)酯 Di-(2-ethylhexyl) Phthalate (DEHP)		30	N.D.	1000
邻苯二甲酸二异丁酯 Di-iso-butyl phthalate (DIBP)		30	N.D.	1000

检测项目 (Test Items)	检测方法/仪器 (Test Method/ Equipment)	方法检出限 (MDL)	含量 (Content)	EU RoHS Directive 2011/65/EU and its amendment Directive EU 2015/863
			2	
铅 Lead(Pb)	IEC 62321-5:2013. ICP-OES/AAS	2	12	1000
镉 Cadmium(Cd)		2	N.D.	100
汞 Mercury(Hg)	IEC 62321-4:2013 +AMD1:2017. ICP-OES	2	N.D.	1000

检测项目 (Test Item)	检测方法/仪器 (Test Method/ Equipment)	方法检出限 (MDL) ($\mu\text{g}/\text{cm}^2$)	结果 (Result) ($\mu\text{g}/\text{cm}^2$)	定性结果 (Qualitative Result)	EU RoHS Directive 2011/65/EU and its amendment Directive EU 2015/863
			2		
六价铬 Hexavalent Chromium(Cr(VI)) \blacklozenge	IEC 62321-7-1:2015. UV-VIS	0.05	N.D.	阴性 (Negative)	—

备注(Note): mg/kg = ppm=parts per million

MDL=Method Detection Limit 方法检出限

N.D.=Not Detected(less than method detection limit), 未检出 (小于方法检出限)

“—”=Not regulated 无规定

Results shown as N.D. are ignored in the sum calculation.结果显示为 N.D.不计入总和的计算。





中国认可
国际互认
检测
TESTING
CNAS L4136

检测报告(Test Report)

检测报告编号(Report No.): SZC18122484092-8

日期(Date): 2019/1/4

页数(Page): 5 of 8

The detected Chromium (Cr) content is "N.D.", therefore, the Hexavalent Chromium (Cr (VI)) content is "N.D.", No need for validation test of the Hexavalent Chromium (Cr (VI)). 检测的铬 (Cr) 含量是“N.D.”, 则六价铬 (Cr(VI)) 含量也是“N.D.”, 不需要进行六价铬 (Cr(VI)) 的确认性测试。

If Chromium (Cr) content exceeds Hexavalent Chromium (Cr (VI)) method detection limit, Validation test of the Hexavalent Chromium (Cr (VI)) is required.

若铬 (Cr) 含量超过六价铬 (Cr(VI)) 方法检出限, 需要进行六价铬 (Cr(VI)) 的确认性测试。

Result(s) of specimen(s) is(are) quoted from HCT report No.SZC18122484092-3.

样品的数据是引自 HCT 报告号为 SZC18122484092-3 的数据。

- ◆ = a. 当六价铬的浓度高于 $0.13\mu\text{g}/\text{cm}^2$ 时, 样品为阳性, 即含有六价铬;
- b. 当六价铬的浓度为 ND(低于 $0.10\mu\text{g}/\text{cm}^2$) 时, 样品为阴性, 即未检测到六价铬;
- c. 当六价铬的浓度介于 $0.10\mu\text{g}/\text{cm}^2$ 与 $0.13\mu\text{g}/\text{cm}^2$ 之间时, 无法直接判定是否检测到六价铬, 因不同个体的样品表面差异可能会影响测定结果;

由于未获知样品的存储条件和生产日期, 样品的六价铬检测结果仅能代表检测时样品含六价铬的状态。

a. The sample is positive for Cr(VI) if the Cr(VI) concentration is greater than $0.13\mu\text{g}/\text{cm}^2$. The sample coating is considered to contain Cr(VI);

b. The sample is negative for Cr(VI) if Cr(VI) is ND (concentration less than $0.10\mu\text{g}/\text{cm}^2$). The coating is considered a non-Cr(VI) based coating;

c. The result between $0.10\mu\text{g}/\text{cm}^2$ and $0.13\mu\text{g}/\text{cm}^2$ is considered to be inconclusive -unavoidable coating variations may influence the determination;

Information on storage conditions and production date of the tested sample is unavailable and thus Cr(VI) results represent status of the sample at the time of testing.



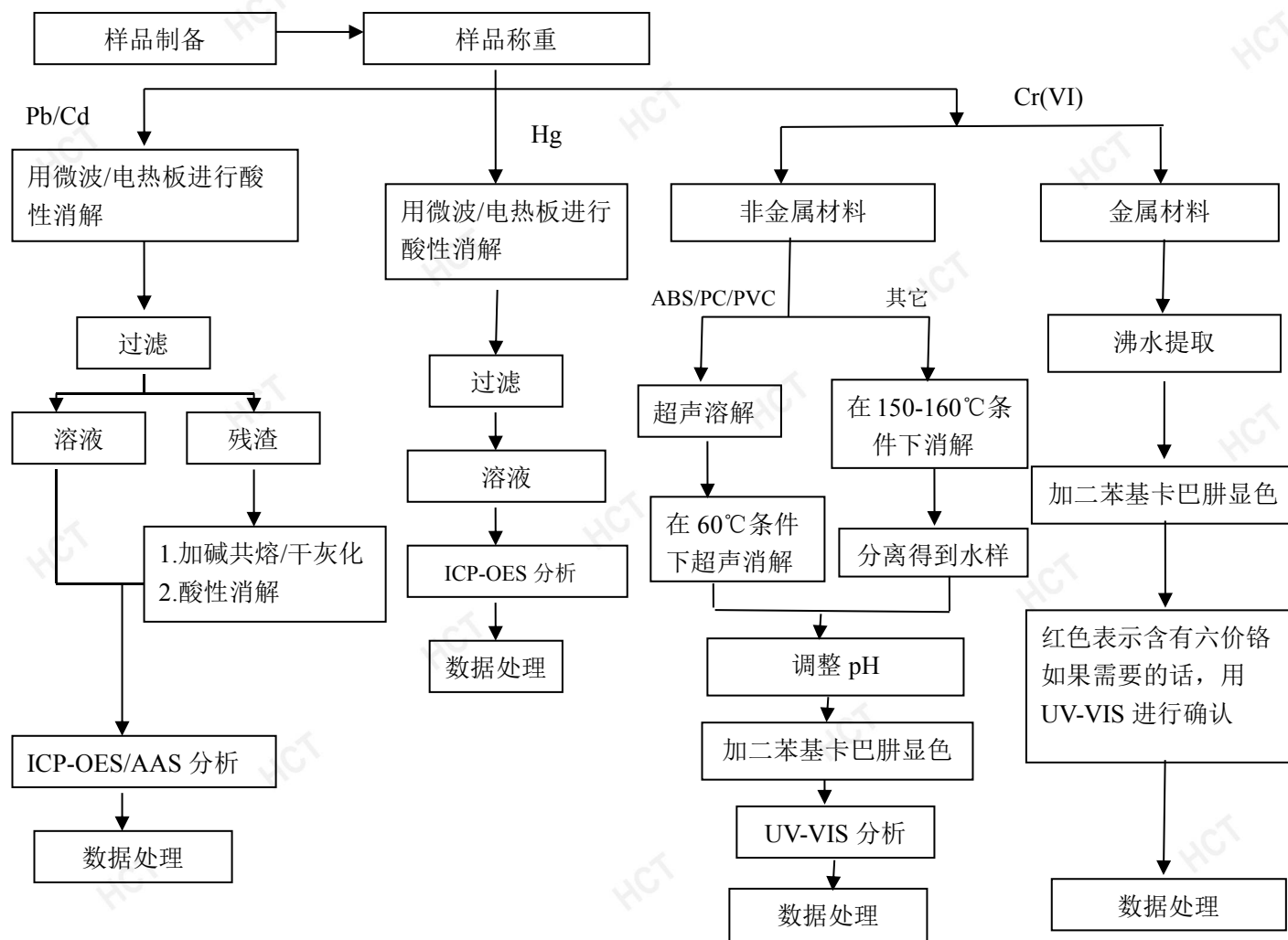
检测报告(Test Report)

检测报告编号(Report No.): SZC18122484092-8

日期(Date): 2019/1/4

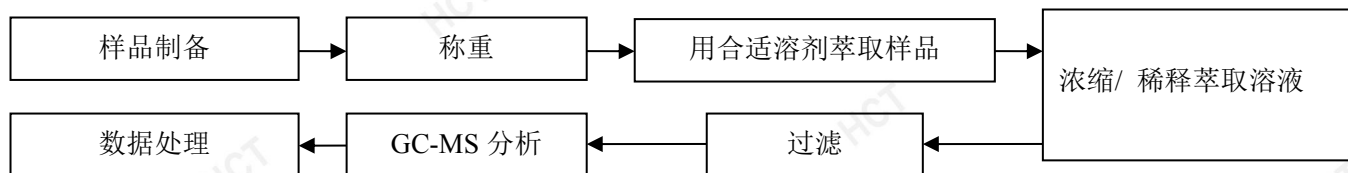
页数(Page): 6 of 8

铅、镉、汞、六价铬、多溴联苯、多溴二苯醚的检测流程图



根据以上的流程图之条件, 样品已经完全溶解(六价铬检测方法除外)。

PBBs/PBDEs



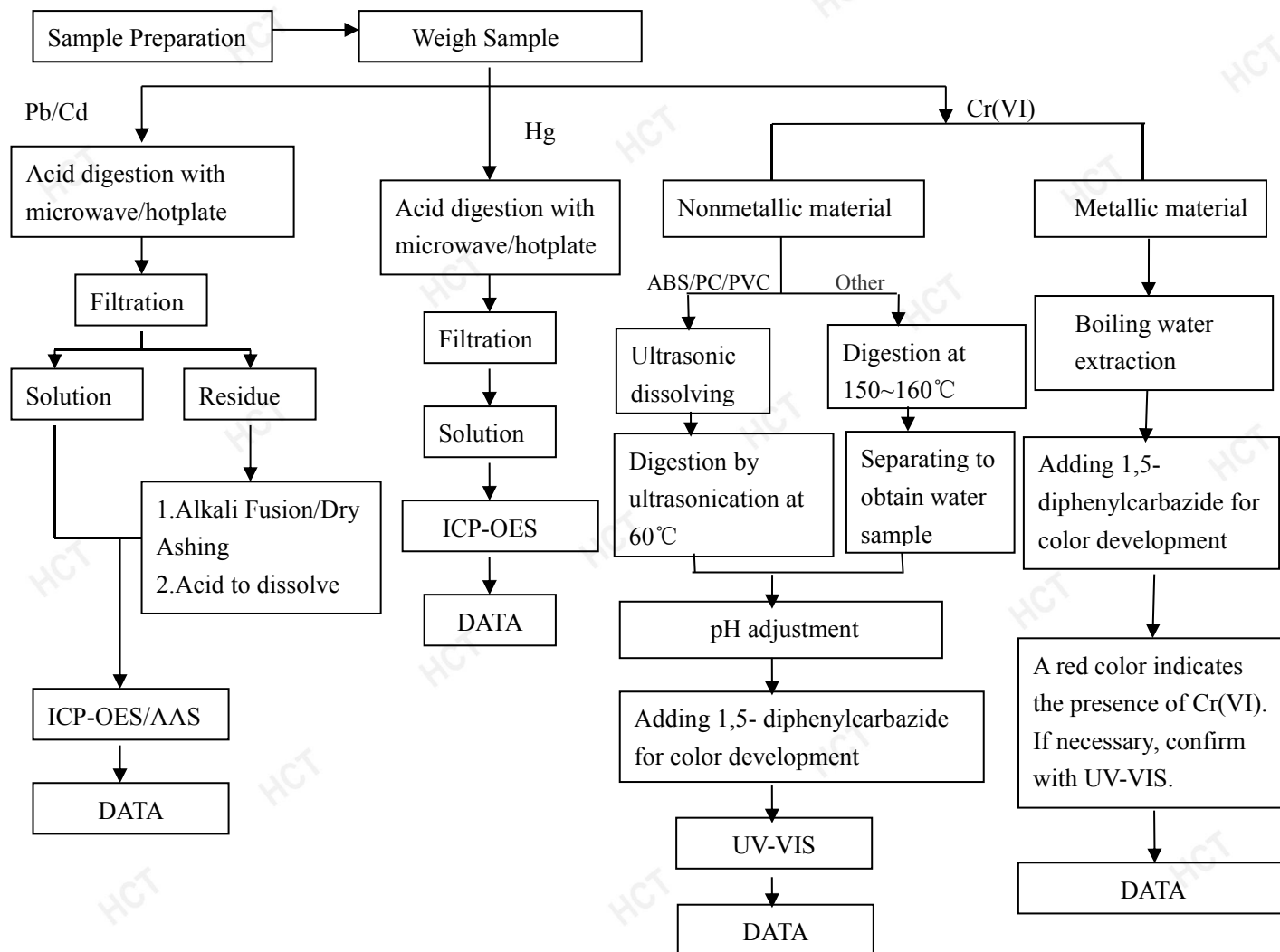
检测报告(Test Report)

检测报告编号(Report No.): SZC18122484092-8

日期(Date): 2019/1/4

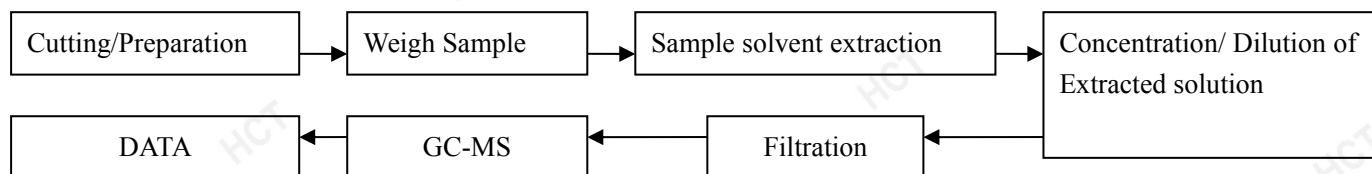
页数(Page): 7 of 8

Test Flow Chart for Pb, Cd, Hg, Cr(VI), PBBs, PBDEs



These sample were dissolved totally by pre-conditioning method according to above flow chart(Cr(VI) test method excluded)

PBBs/PBDEs



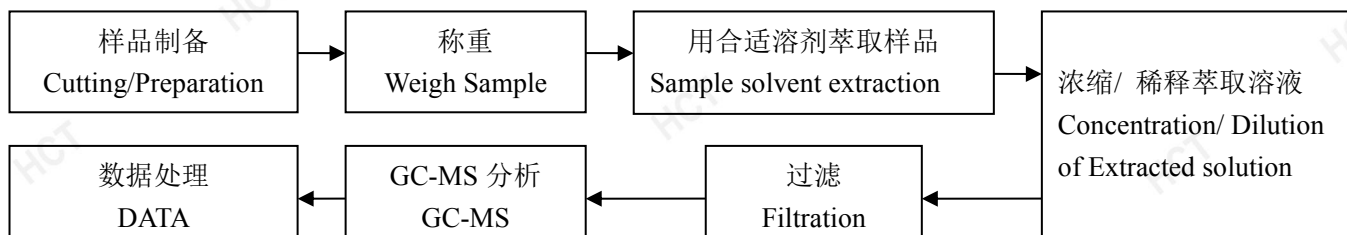
检测报告(Test Report)

检测报告编号(Report No.): SZC18122484092-8

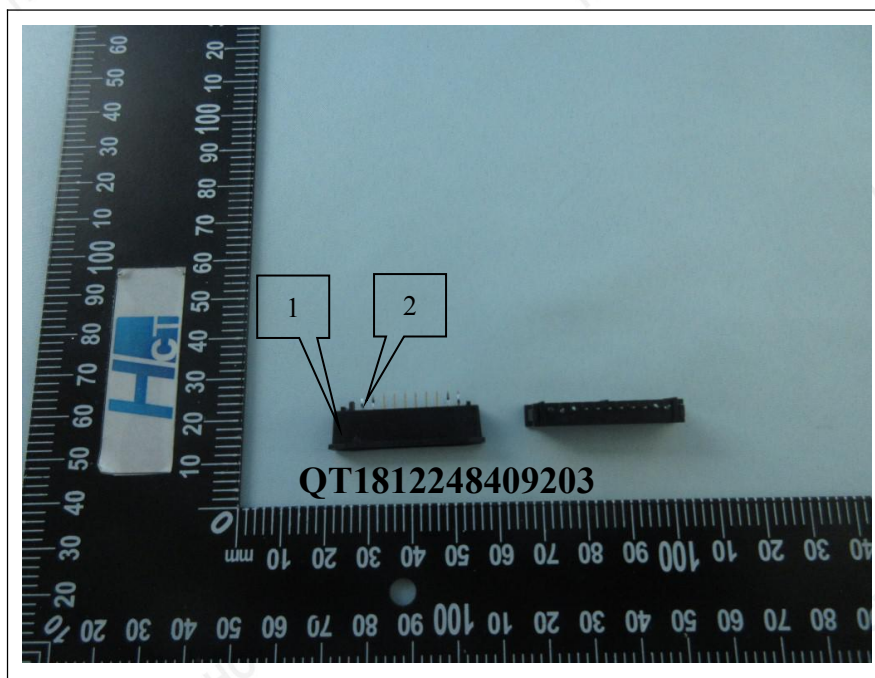
日期(Date): 2019/1/4

页数(Page): 8 of 8

DBP, BBP, DEHP, DIBP 的检测流程图 (Test Flow Chart for DBP, BBP, DEHP, DIBP)



样品附图(The photo of the sample)



报告结束(End)

本报告 HCT 盖章才生效, 本报告不可以删改。本报告只对送检样品的检测结果负责。

未经本公司书面授权, 不得部分复制本报告做宣传品使用。

This report will go into effect with HCT stamp. This report could not be revised. This report is only responsible for the test result of submitted samples. Without written authorization, any copy of this report for propaganda is invalid.

