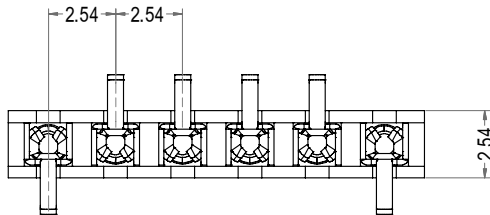
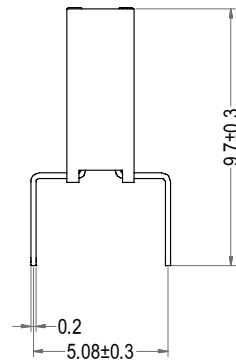
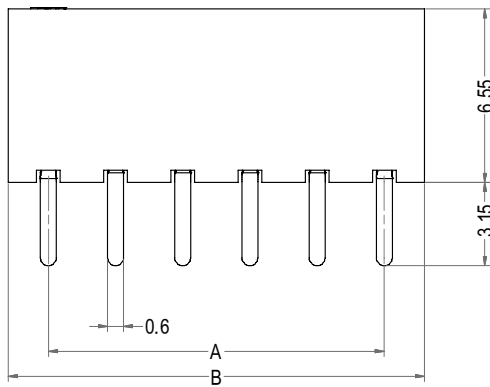
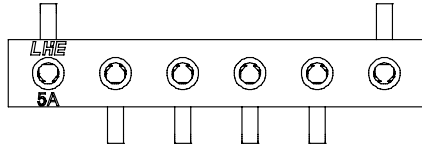


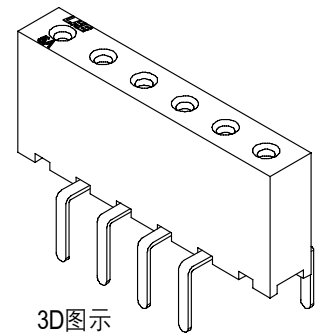
# B2541型连接器承认书图面



6	5	4	3	2	1
名称	材料	数量	图号	附注	
基座 Housing	PBT(UL94V-0)	1	LHE\GC-4	Black(黑色)	
端子 Terminal	Phosphor Bronze	N			



Poles	Part No.	Description	DIM=A	DIM=B
2	B2541-WV02	B2541-2A	2.54	5.56
3	B2541-WV03	B2541-3A	5.08	8.10
4	B2541-WV04	B2541-4A	7.62	10.64
5	B2541-WV05	B2541-5A	10.16	13.18
6	B2541-WV06	B2541-6A	12.70	15.72
7	B2541-WV07	B2541-7A	15.24	18.26
8	B2541-WV08	B2541-8A	17.78	20.80
9	B2541-WV09	B2541-9A	20.32	23.34
10	B2541-WV10	B2541-10A	22.86	25.88
---	---	---	---	---
25	B2541-WV25	B2541-25A	60.96	63.98
26	B2541-WV26	B2541-26A	63.50	66.52
27	B2541-WV27	B2541-27A	66.04	69.06
28	B2541-WV28	B2541-28A	68.58	71.60
29	B2541-WV29	B2541-29A	71.12	74.14
30	B2541-WV30	B2541-30A	73.66	76.68
31	B2541-WV31	B2541-31A	76.20	79.22
32	B2541-WV32	B2541-32A	78.74	81.76
33	B2541-WV33	B2541-33A	81.28	84.30
34	B2541-WV34	B2541-34A	83.82	86.84
35	B2541-WV35	B2541-35A	86.36	89.38
36	B2541-WV36	B2541-36A	88.90	91.92
37	B2541-WV37	B2541-37A	91.44	94.46
38	B2541-WV38	B2541-38A	93.98	97.00
39	B2541-WV39	B2541-39A	96.52	99.54
40	B2541-WV40	B2541-40A	99.06	102.08



<b>LHE® 浙江联和电子有限公司</b>			
品名	B2541-A	比例	7:2
料号	B2541-WV	未注公差(mm)	
图号	LHE\GC-	>0~3	±0.12
材料	PBT UL94V-0	>3~18	±0.15
制图	王天 2024-05-06	>18~50	±0.3
审核	天琴 2024-05-06	>50~120	±0.5
批准	李育文 2024-05-06	X°	±3°
视角		X.X°	±0.5°